

**VERTICAL JOCKEY PUMP
B, D, F AND J SERIES**

Date **June 1, 2001**

	B5015	B7520	B10025	D7512	D10015	D15021
Motor Lubrication	Oil	Oil	Oil	Oil	Oil	Oil
Motor Full Load Amps						
1/60/115	11.9	N/A	N/A	N/A	N/A	N/A
1/60/230	5.9	8	9.6	8	9.6	11.5
3/60/230	2.9	4.1	4.8	4.1	4.8	6.4
3/60/460	1.6	2	2.4	2	2.4	3.2
Number of Stages	15	20	25	12	15	12
Strainer Opening Size	3/32	3/32	3/32	3/32	3/32	3/32
Discharge Tee Size	1-1/4 x 1/4	1-1/4 x 1/4	1-1/4 x 1/4	1-1/4 x 1/4	1-1/4 x 1/4	1-1/4 x 1/4
Column Weight Per Foot	1.8	1.8	1.8	1.8	1.8	1.8
Submersible Cable - AGW Size	14	14	14	14	14	14
Line Check Valve Type	Non-Aspirated					
Line Check Valve Size	1-1/4	1-1/4	1-1/4	1-1/4	1-1/4	1-1/4

	F15012	F20016	F30021	J30008	J50013
Motor Lubrication	Oil	Oil	Oil	Oil	Oil
Motor Full Load Amps					
1/60/115	N/A	N/A	N/A	N/A	N/A
1/60/230	11.5	13.2	17	17	27.5
3/60/230	6.4	8.1	10.9	10.9	17.8
3/60/460	3.2	4.1	5.5	4	8.9
Number of Stages	13	17	23	8	13
Strainer Opening Size	3/32	3/32	3/32	3/16	3/16
Discharge Tee Size	1-1/4 x 1/4	1-1/4 x 1/4	1-1/4 x 1/4	1-1/2 x 1/2	1-1/2 x 1/2
Column Weight Per Foot	1.8	1.8	1.8	2	2
Submersible Cable - AGW Size	14	14	14	12	12
Line Check Valve Type	Non-Aspirated				
Line Check Valve Size	1-1/4	1-1/4	1-1/4	1-1/2	1-1/2

Construction Features	
SERIES B, D, F AND J	
Type	Vertical submersible motor driven, multi-stage turbine
Rotation	Counter-clockwise, viewed down
Motor	NEMA Submersible, oil or water lubricated
Motor Bracket	Cast type, connecting motor to pump
Strainer	Square mesh type, locked against rotation
Diffuser Cases	Pressure containing, flow directing
Impellers	Single suction
Pump Shell	Stainless steel, seamless type
Shaft, Bowl	Stainless steel, spline type
Bearings, Bowl	Sleeve type, water lubricated
Pump Discharge	Diffuser type, threaded connector with guide bushing
Pipe	Threaded
Mounting Plate	Drilled for discharge tee and motor lead connections
Submersible Cable	Three wire neoprene type
Control	Definite purpose type magnetic starter, in NEMA 1 enclosure, with reset button

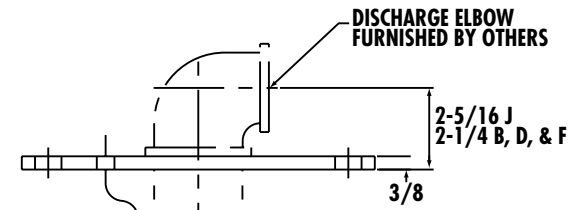
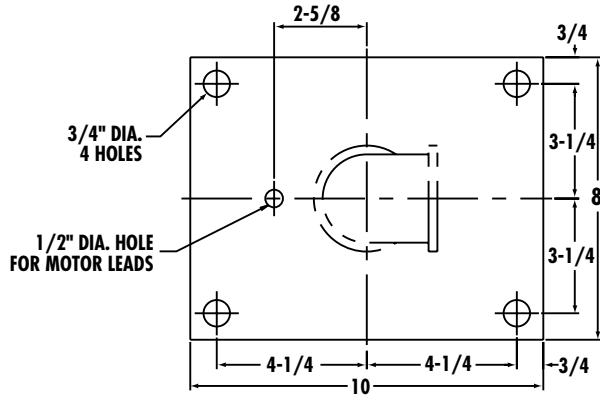
FLOW RANGE (GPM)	MODEL NUMBER (1)	MOTOR HP	APPROX SHIPPING WT. (LBS)
3, 5-6, 5	B5015	1/2	111
	B7520	3/4	116
	B10025	1	121
7-13	D7512	3/4	113
	D10015	1	119
	D15021	1-1/2	122
12-24	F15012	1-1/2	119
	F20016	2	127
	F30021	3	133
28-52	J30008	3	170]
	J50013	5	195

- (1) To determine model number and required pump discharge pressure, add lift below centerline (in PSI) to require system pressure (in PSI). Select from the published performance curve. Pump must be selected for operation within the specified flow range.
- (2) Price includes pump, 3-wire motor, 20 feet of cable, splice kit, floor plate. Single phase motor also includes starter box. Three phase applications required special quick trip overload heaters in the jockey pump controller. If a minimum period run timer is required, add a relief valve.

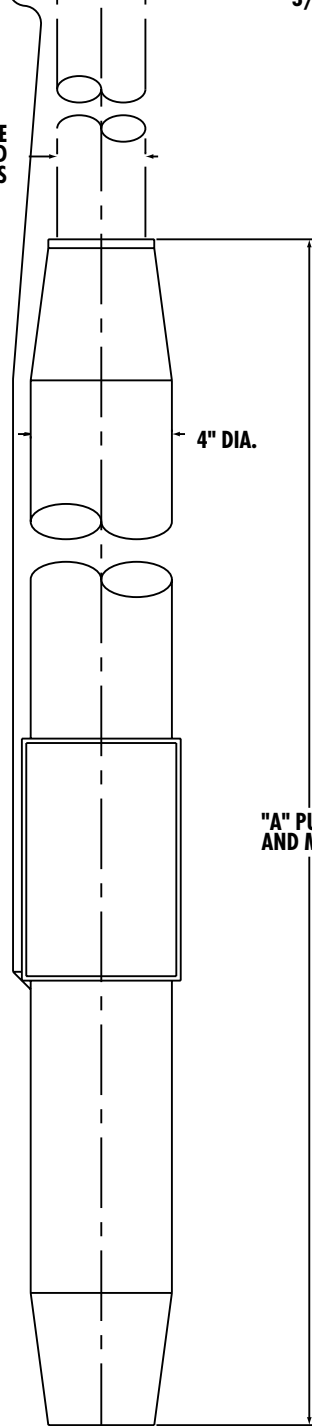
AURORA FIRE PUMPS

VERTICAL JOCKEY PUMPS

B, D, F AND J SERIES



DROP PIPE
FURNISHED
BY OTHERS



"A" PUMP
AND MOTOR

MODEL	"A"
B5015	34
B7520	39
B10025	45
D7512	35
D10015	40
D15021	46
F15012	38
F20016	50
F30021	67
J3008	51
J50013	58

DROP PIPE AND DISCHARGE SIZE: SERIES B, D, AND F IS 1-1/4 NPT
SERIES J IS 1-1/2 NPT