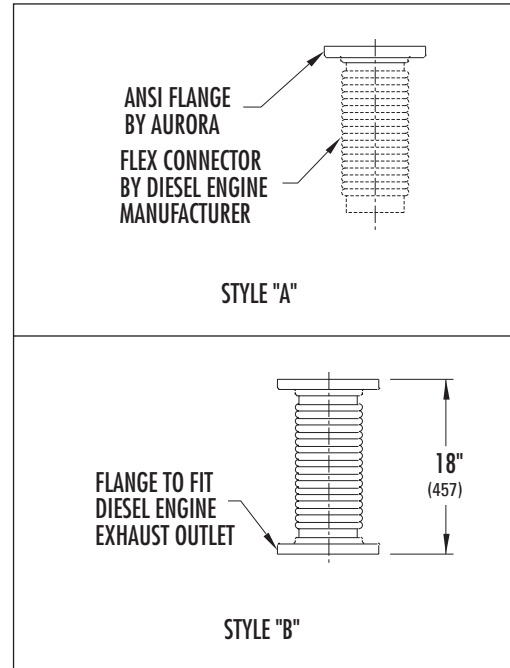


AURORA FIRE PUMPS EXHAUST FLEX CONNECTORS

ENGINE MODEL	MUFFLER CONNECTION SIZE	FLEX CONNECTOR STYLE
CUMMINS		
CFP33 & CFP39	3"	"A"
CFP59, CFP83, CFP6E & CFP9E	4"	SEE NOTE 1
CFP11E	5"	SEE NOTE 1
CLARKE FIRE PROTECTION		
VMFP-04HN	2.5"	"A"
VMFP-04HT	3"	"A"
VMFP-06HT, -T6HT, VMFP-L6HR & -T6HR	4"	"A"
JU4H-UF10, -UF12 & -UF14 JU4H-UF20, -UF22 & -UF24	3"	"A"
JU4H-UF30 & -UF32 JU4H-UF34 JU4H-UFH8, UFH0 JU4H-UFH2 JU4H-UF40 & -UF42 JU4H-UF50 & -UF52 JU4H-UF54 & UF58	4"	"A"
JU4R-UF09, UF11, UF13, JU4R-UF19, UF21 & -UF23	3"	"A"
JU4R-UF40, -UF49, UF51 JU4R-UF53	4"	"A"
ALL JU6H-SERIES	5"	SEE NOTE 1
JW6H-UF30 (JDFF-06WA), -UF38 JW6H-UF40 (JDFF-06WR), -UF48	5"	SEE NOTE 1
JW6H-UF50 & -UF58 JW6H-UF60	6"	SEE NOTE 1
ALL JX6H-SERIES	8"	SEE NOTE 1
CATERPILLAR		
3126 DITA	5"	"B"
3406B-DIT, -DITA	6"	"B"
3408-DITA, PH-0	6"	"B"
3408-DITA, PH1	8"	"B"
3412-DIT, PH-0 & PH-1	8"	"B"
3412-DITA, PH-0	8"	"B"
3412-DITA, PH-1	DUAL 6"	"B"
NATIONAL DIESEL		
NDC BF4M-1011F	3"	"A"
ALL EXCEPT NDC BF4M-1011F	4"	"A"



NOTE 1: FLANGED FLEX CONNECTOR PROVIDED BY DIESEL ENGINE MANUFACTURER. NO ADDITIONAL FLEX CONNECTOR OR ADAPTOR FITTING IS REQUIRED OR PROVIDED BY AURORA.