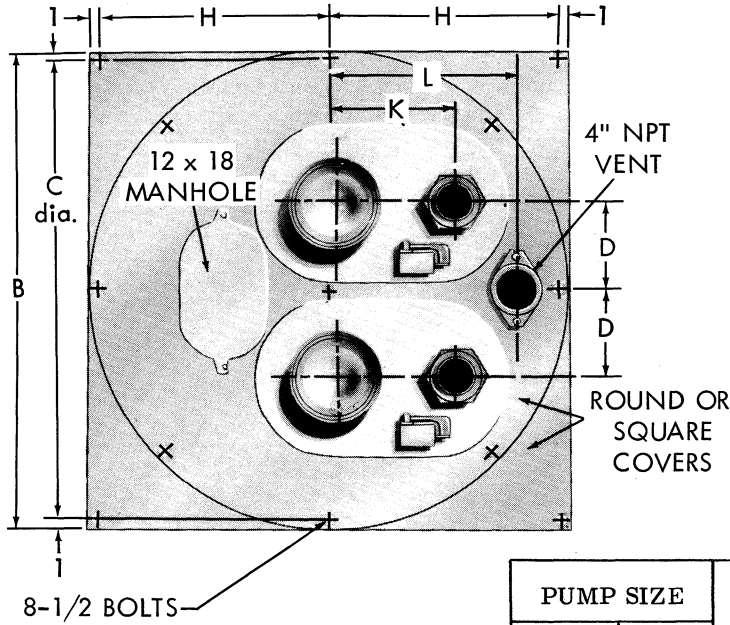
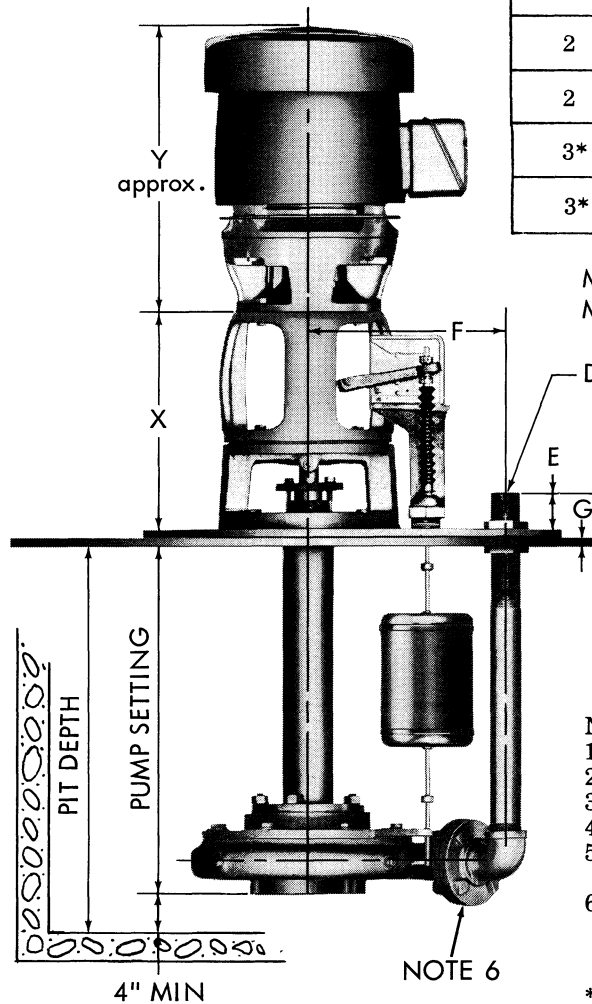


AURORA MODEL 642 PUMP ON DUPLEX PLATE WITH TWO OVALS AND MANHOLE



| COVER SIZE B | C ROUND | H SQUARE | G STEEL | L |
|--------------|---------|----------|---------|----|
| 46 | 44 | 22 | 1/2 | 17 |
| 53 | 51 | 25-1/2 | 5/8 | 19 |
| 60 | 58 | 29 | 5/8 | 19 |
| 66 | 64 | 32 | 3/4 | 19 |
| 78 | 76 | 38 | 3/4 | 19 |

| PUMP SIZE | | OVAL | | | | | MINIMUM COVER SIZE |
|-----------|-----------|--------|--------|--------|---------|--------|--------------------|
| DISCH. | CASE BORE | E | F | K | SIZE | D | |
| 2 | 7 | 4-1/16 | 9-1/4 | 9-3/4 | 20 x 24 | 10-1/2 | 46 |
| 2 | 9 | 4-1/2 | 10-3/4 | 10-3/4 | 20 x 24 | 10-1/2 | 46 |
| 3* | 7 | 4-1/4 | 11-7/8 | 8-7/8 | 22 x 28 | 11-1/2 | 50 |
| 3* | 9 | 4-5/16 | 13-1/4 | 10-1/4 | 22 x 28 | 11-1/2 | 50 |



MOTOR & FLOAT SWITCH MOUNTED BY OTHERS

| FRAME | X | Y |
|-------|--------|----|
| 143HP | 13-7/8 | 11 |
| 145HP | 13-7/8 | 12 |
| 182HP | 13-7/8 | 13 |
| 184HP | 13-7/8 | 14 |
| 213HP | 13-7/8 | 16 |
| 215HP | 13-7/8 | 17 |
| 254HP | 13-7/8 | 19 |
| 256HP | 13-7/8 | 21 |

NOTES:

1. ALL DIMENSIONS IN INCHES.
2. DIMENSIONS MAY VARY ± 1/2.
3. NOT FOR CONSTRUCTION PURPOSES UNLESS CERTIFIED.
4. FLOAT SWITCH FURNISHED ONLY WHEN SPECIFIED.
5. LINE SHAFT BEARINGS FURNISHED ON 6' 2" PUMP SETTINGS AND LONGER.
6. CASINGS WITH 2" DISCHARGE HAVE THREADED CONNECTIONS. CASINGS WITH 3" DISCHARGE HAVE FLANGED CONNECTIONS.

*3" PUMPS NOT AVAILABLE ON 20" x 24" OVAL.