

AURORA MODEL 614A PUMP

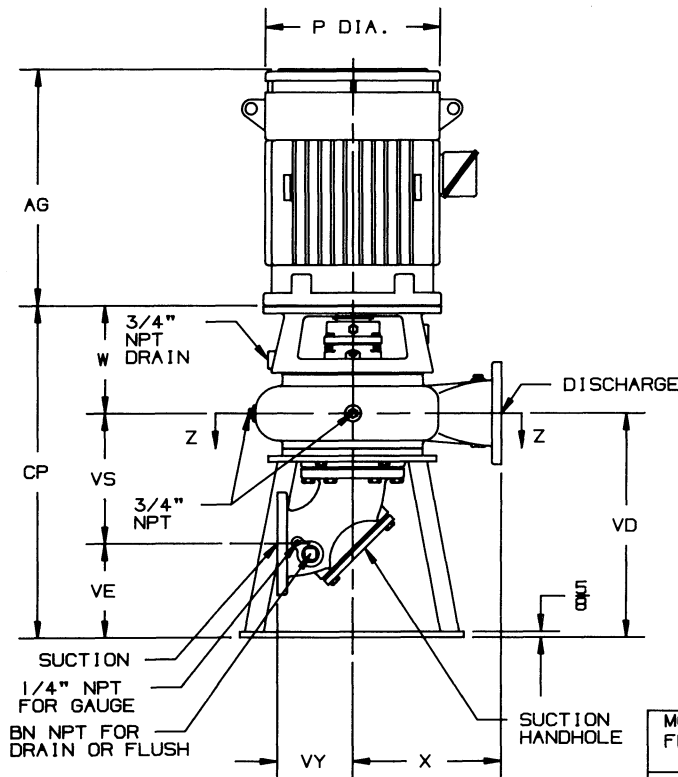
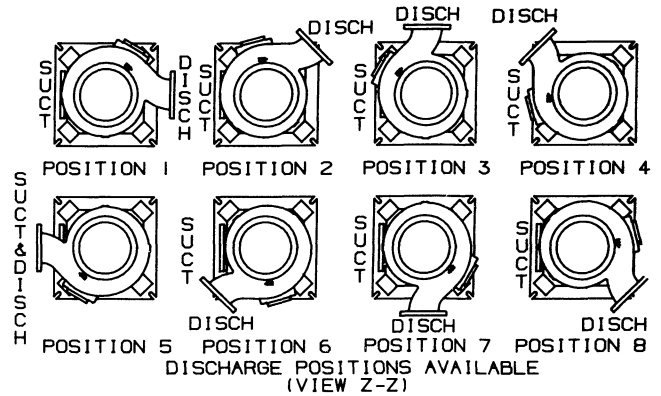
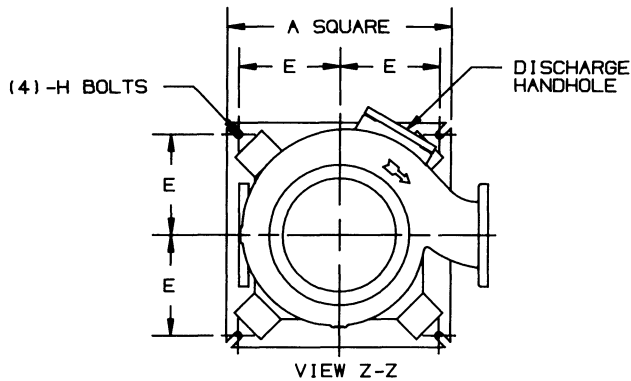
6", 8" & 10" PUMPS

SECTION 610 PAGE 211

DATED AUGUST 1990

SUPERSEDES PAGE 211

DATED NOVEMBER 1988



NOTES:

1. ALL DIMENSIONS IN INCHES.
2. DIMENSIONS MAY VARY $\pm 1/2"$.
3. NOT FOR CONSTRUCTION PURPOSES UNLESS CERTIFIED.
4. TWO (2) $1/2"$ NPT CONNECTIONS 180° APART, ON THE STUFFING BOX FOR LUBRICATION PURPOSES ARE FURNISHED AS STANDARD.
5. DISCHARGE POSITION 1 IS FURNISHED AS STANDARD UNLESS SPECIFIED.
6. SUCTION AND DISCHARGE FLANGES ARE AMERICAN STANDARD 125 LBS.
7. HEIGHT (AG) AND DIAMETERS (P) DIMENSIONS OF MOTOR WILL VARY BASED ON MAKE AND STYLE OF MOTOR. DIMENSIONS SHOWN REFLECT AURORA STANDARD MOTORS. SEE INDIVIDUAL MOTOR SUPPLIER DIMENSIONAL DATA SHEETS FOR YOUR APPLICATION. CONDUIT BOX IS SHOWN IN APPROXIMATE LOCATION. DIMENSIONS ARE NOT SPECIFIED AS THEY VARY WITH EACH MOTOR MANUFACTURER.

MOTOR FRAME	254TCV TO 256TCV	284TCV TO 286TCV	324TCV TO 326TCV	364TCV TO 365TCV	404TCV TO 405TCV	LARGER THAN 405TCV
P	13	16	18	21	22	REFER TO FACTORY
AG APPROX.	20 21	22 23	25 26	25	28	

DISCH SUCT CASE BORE	MOTOR SHAFT EXT. TYPE	A	BN	E	H	VY	W	X	CP	VD	VE	VS	HANDHOLE	
													DISCH.	SUCT.
6x6x12	4C, 4D	24	1 1/2	10 3/4	5/8	8	10 1/8	14	34 3/8	24 1/4	10 1/8	14 1/8	5x5	6
6x6x12	5E, 5F	24	1 1/2	10 3/4	5/8	8	11 3/16	14	35 7/16	24 1/4	10 1/8	14 1/8	5x5	6
6x6x12B	4C, 4D	24	1 1/2	10 3/4	5/8	8	10 1/4	16	34 3/8	24 1/8	10 1/8	14	5x5	6
6x6x12B	5E, 5F	24	1 1/2	10 3/4	5/8	8	11 5/16	16	35 7/16	24 1/8	10 1/8	14	5x5	6
6x8x15	5E, 5F	30	1 1/2	13 3/4	3/4	9	10 3/4	16	42 7/8	32 1/8	17	15 1/8	5x5	6
6x8x18	5E, 5F	30	1 1/2	13 3/4	3/4	9	11 1/16	18	43 7/16	32 3/8	17	15 3/8	5x5	6
8x8x15A	5E, 5F	30	1 1/2	13 3/4	3/4	9	11 1/8	19	43 1/2	32 3/8	14 1/4	18 1/8	5x7	6
10x10x15	5E, 5F	30	1 1/2	13 3/4	3/4	11	11 1/16	20	44 5/8	32 15/16	11 7/8	21 1/16	5x7	6