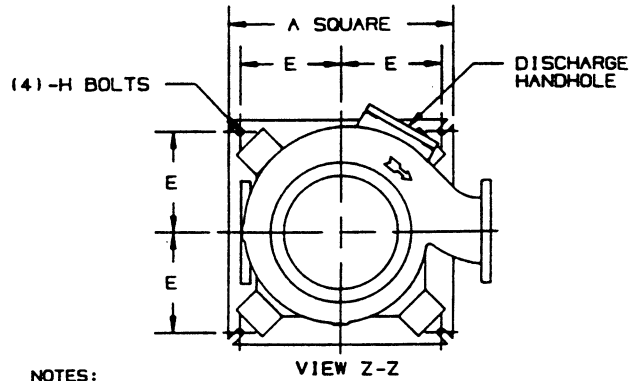
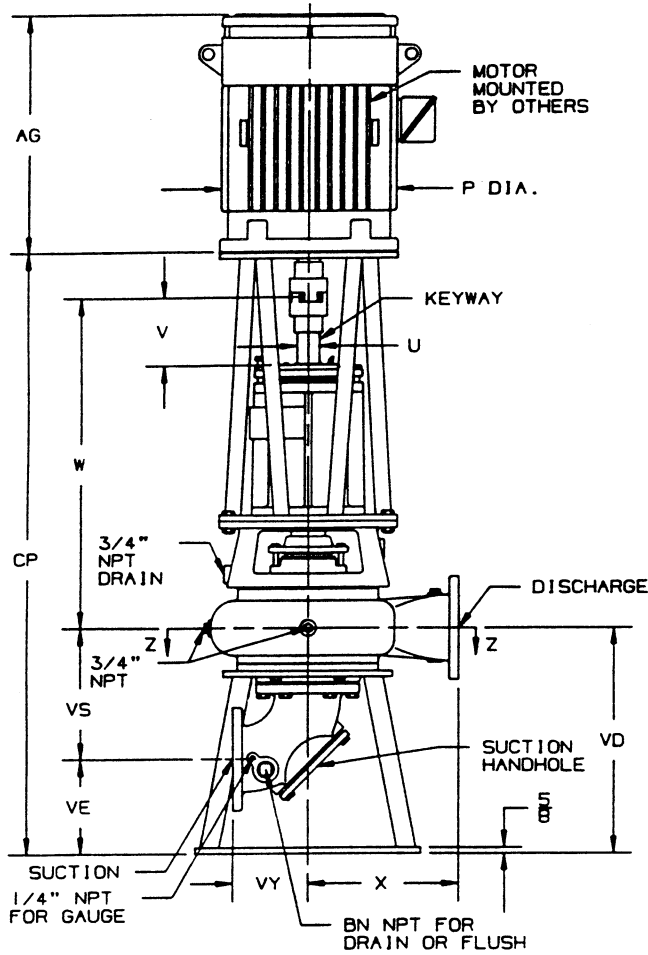
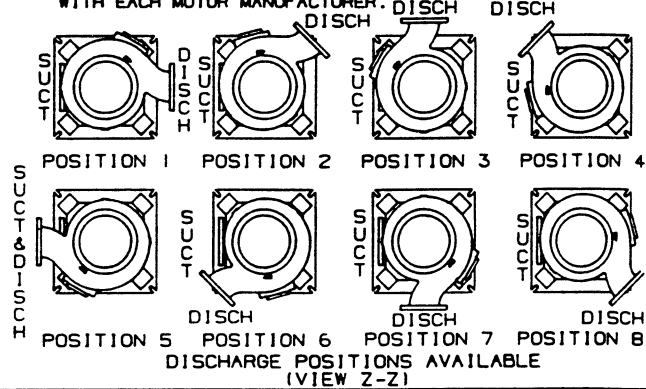


AURORA MODEL 613A PUMP



- NOTES:
1. ALL DIMENSIONS IN INCHES.
 2. DIMENSIONS MAY VARY $\pm 1/2"$.
 3. NOT FOR CONSTRUCTION PURPOSES UNLESS CERTIFIED.
 4. TWO (2) 1/2" NPT CONNECTIONS 180° APART, ON THE STUFFING BOX FOR LUBRICATION PURPOSES ARE FURNISHED AS STANDARD. ON PACKED PUMPS AN ALEMITE FITTING IS PROVIDED IN ONE TAP AND THE REMAINING TAP IS PLUGGED.
 5. DISCHARGE POSITION 1 IS FURNISHED AS STANDARD UNLESS SPECIFIED.
 6. SUCTION AND DISCHARGE FLANGES ARE AMERICAN STANDARD 125 LBS.
 7. HEIGHT (AG) AND DIAMETERS (P) DIMENSIONS OF MOTOR WILL VARY BASED ON MAKE AND STYLE OF MOTOR. DIMENSIONS SHOWN REFLECT AURORA STANDARD MOTORS. SEE INDIVIDUAL MOTOR SUPPLIER DIMENSIONAL DATA SHEETS FOR YOUR APPLICATION. CONDUIT BOX IS SHOWN IN APPROXIMATE LOCATION. DIMENSIONS ARE NOT SPECIFIED AS THEY VARY WITH EACH MOTOR MANUFACTURER.



POWER FRAME	U	V	KEYWAY		
			LENGTH	WIDTH	DEPTH
4C, 4D	1 1/4	3 3/16	2	1/4	1/8
5E, 5F 5G, 5H	2 3/8	6 3/8	4	5/8	5/16
6D	2 7/8	6 5/8	5	3/4	3/8
6E	2 7/8	5 3/4	4	3/4	3/8

MOTOR FRAME	254HP TO 256HP	284HPH TO 286HPH	324HP TO 326HP	364HP TO 365HP	404HP TO 405HP	LARGER THAN 405HP
	P APPROX.	13	16	18	21	
AG APPROX.	20 21	22 23	25 26	25	28	REFER TO FACTORY

DISCH SUCT CASE BORE	POWER FRAME	A	BN	E	H	VY	W	X	CP	VD	VE	VS	HANDHOLE	
													DISCH.	SUCT.
6x6x12	4C, 4D	24	1 1/2	10 3/4	5/8	8	23 5/16	14	51 5/16	24 1/4	10 1/8	14 1/8	5x5	6
6x6x12	5E, 5F	24	1 1/2	10 3/4	5/8	8	34 3/16	14	64	24 1/4	10 1/8	14 1/8	5x5	6
6x6x12B	4C, 4D	24	1 1/2	10 3/4	5/8	8	23 7/16	16	51 5/16	24 1/8	10 1/8	14	5x5	6
6x6x12B	5E, 5F	24	1 1/2	10 3/4	5/8	8	34 5/16	16	64	24 1/8	10 1/8	14	5x5	6
6x8x15	5E, 5F	30	1 1/2	13 3/4	3/4	9	33 3/4	16	71 7/16	32 1/8	17	15 1/8	5x5	6
6x8x18	5E, 5F	30	1 1/2	13 3/4	3/4	9	34 1/16	18	72	32 3/8	17	15 3/8	5x5	6
8x8x15A	5E	30	1 1/2	13 3/4	3/4	9	34 1/8	19	72 1/16	32 3/8	14 1/4	18 1/8	5x7	6
8x10x18	5G, 5H	30	1 1/2	13 3/4	3/4	11	34 5/8	19	73 3/16	33	15 3/16	17 13/16	5x7	6
8x10x22	5G, 5H	37	1 1/2	17	7/8	11	34 5/8	22	74 11/16	34 1/2	16 5/8	17 7/8	5x7	6
10x10x15	5E, 5F	30	1 1/2	13 3/4	3/4	11	34 13/16	20	73 5/16	32 15/16	11 7/8	21 1/16	5x7	6
10x10x22	6E	37	1 1/2	17	7/8	11	37 1/8	22 1/2	77 1/16	34 1/2	16 5/8	17 7/8	5x7	6
10x12x22	5G, 5H	37	1 1/2	17	7/8	12	35 1/16	22 1/2	75 3/4	35 1/8	15 9/16	19 9/16	5x7	8
10x12x22	6D	37	1 1/2	17	7/8	12	37 9/16	22 1/2	78 1/8	35 1/8	15 9/16	19 9/16	5x7	8
12x12x22	6E	37	1 1/2	17	7/8	12	37 5/8	22 1/2	78 3/16	35 1/8	15 9/16	19 9/16	5x7	8
12x14x22A	5G, 5H	37	2 1/2	17	7/8	14	35 1/8	24	75 13/16	35 1/8	13 7/8	21 1/4	5x7	8
12x14x22A	6D	37	2 1/2	17	7/8	14	37 5/8	24	78 3/16	35 1/8	13 7/8	21 1/4	5x7	8
12x14x22B	5G, 5H	37	2 1/2	17	7/8	14	35 1/8	24	75 13/16	35 1/8	13 7/8	21 1/4	5x7	8
12x14x22B	6D	37	2 1/2	17	7/8	14	37 5/8	24	78 3/16	35 1/8	13 7/8	21 1/4	5x7	8
14x14x22A	6E	37	2 1/2	17	7/8	14	37 5/8	24	78 3/16	35 1/8	13 7/8	21 1/4	5x7	8

ADD 3/4" TO CP FOR PUMPS ON P.F. 4C, 4D WITH MOTOR FRAMES 284 HPH TO 324 HP.