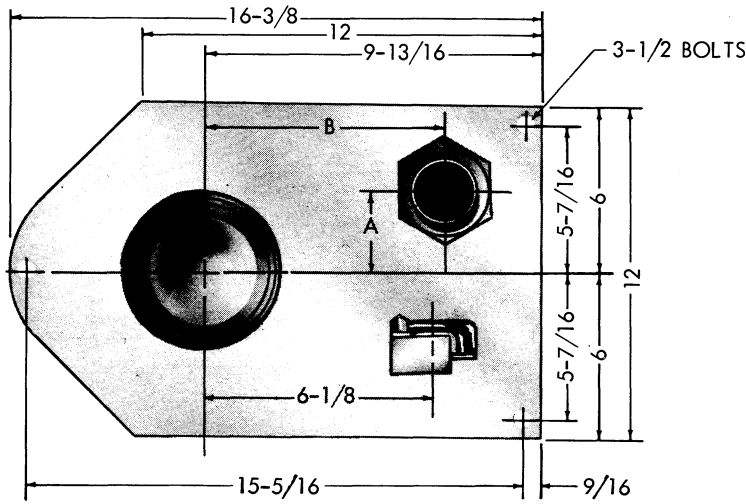


AURORA MODEL 521 PUMP ON OVAL PLATE

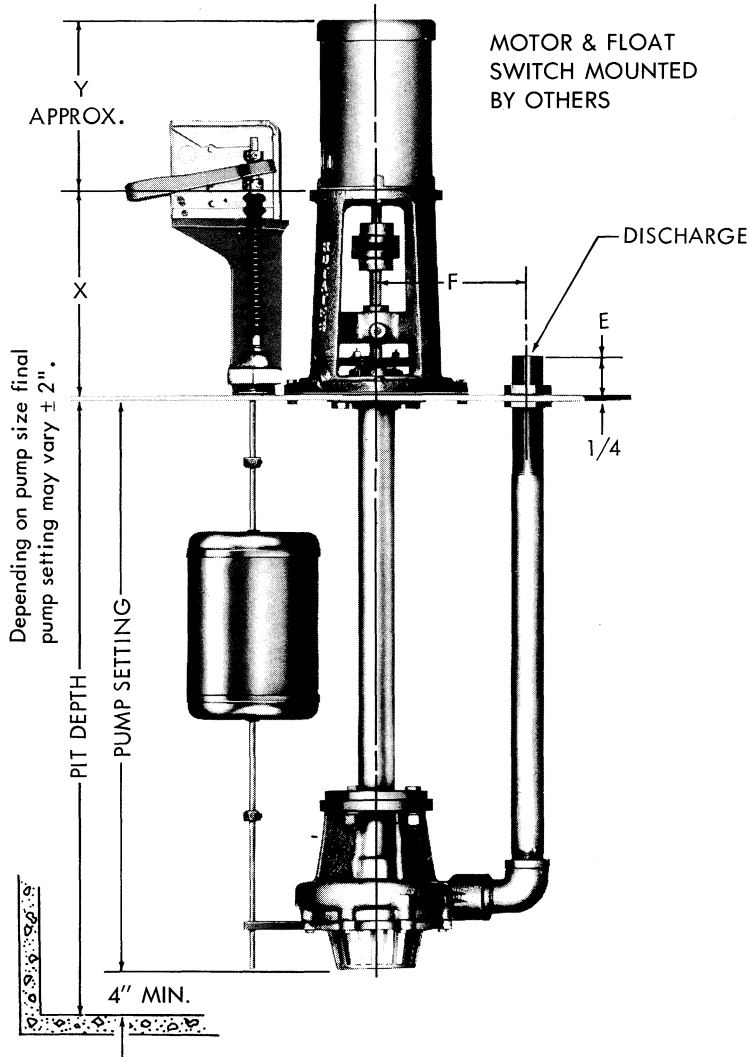
SECTION **520** PAGE **251**
DATED **JANUARY 1988**
SUPERSEDES PAGE 251
DATED AUGUST 1974



PUMP SIZE			E	F	OVAL SIZE	Thk. Stl.
DISCH	SUCTION	CASE BORE				
1	1-1/4	6	2-1/2	6-5/16	12 x 16-3/8	1/4
1-1/2	2	6				
2*	2-1/2	6	6-7/8			

BASE PLATE		
PUMP SIZE	A	B
1	3-5/16	6-5/16
1-1/2	3-1/2	6-7/8
2		

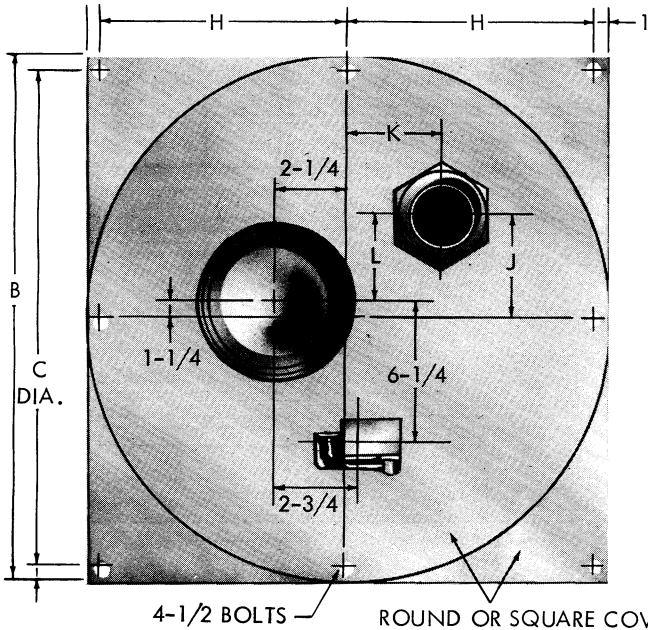
FRAME	X	Y
56C	9-1/8	10
143TC	9-1/8	9-1/2
145TC	9-1/8	10-1/2



NOTES

1. ALL DIMENSIONS IN INCHES.
 2. DIMENSIONS MAY VARY \pm 3/8".
 3. NOT FOR CONSTRUCTION PURPOSES UNLESS CERTIFIED.
 4. FLOAT SWITCH FURNISHED ONLY WHEN SPECIFIED.
 5. LINE SHAFT BEARING FURNISHED ON 5' 2" PUMP SETTINGS AND LONGER.
- * STRAINER SHOWN BUT NOT FURNISHED ON 2" PUMP UNLESS SPECIFIED.

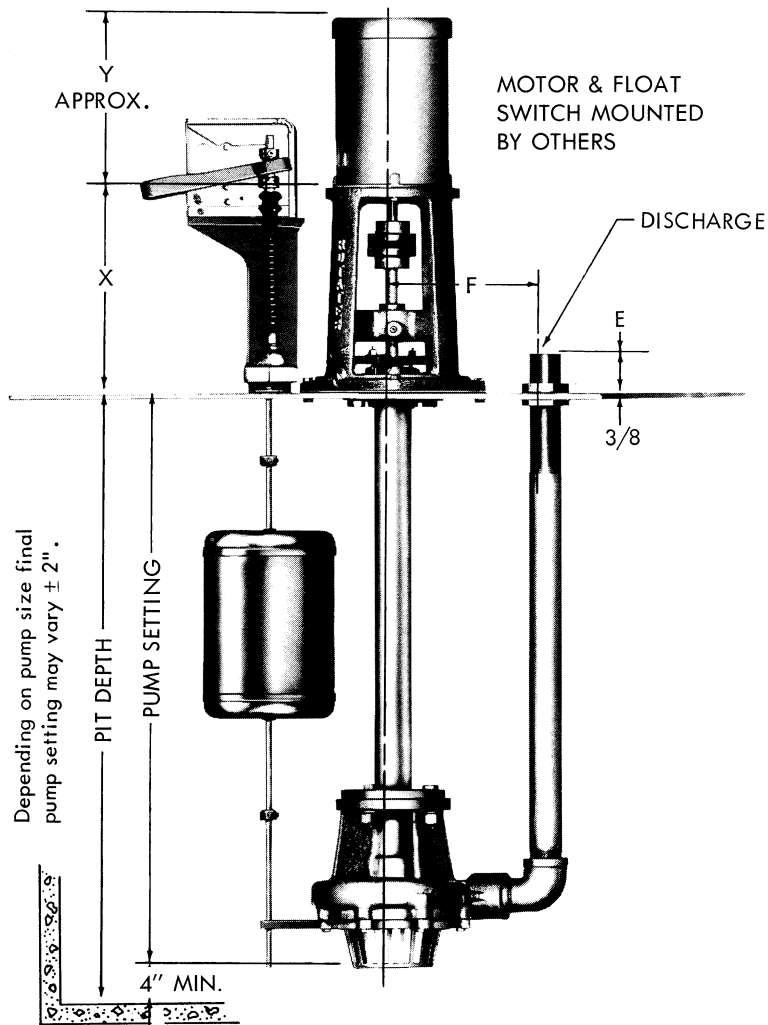
AURORA MODEL 521 PUMP ON SIMPLEX PLATE



PUMP SIZE			E	F	J	K	L
DISCH	SUCTION	CASE BORE					
1	1-1/4	6	2-1/2	6-1/8	4-9/16	3-7/8	3-5/16
1-1/2	2	6		6-5/8	4-3/4	4-3/8	3-1/2
2*	2-1/2	6					

FRAME	X	Y
56C	9-1/8	10
143TC	9-1/8	9-1/2
145TC	9-1/8	10-1/2

COVER SIZE B	C	H
24	22	11
28	26	13



NOTES

1. ALL DIMENSIONS IN INCHES.
 2. DIMENSIONS MAY VARY $\pm 3/8$ ".
 3. NOT FOR CONSTRUCTION PURPOSES UNLESS CERTIFIED.
 4. FLOAT SWITCH FURNISHED ONLY WHEN SPECIFIED.
 5. LINE SHAFT BEARING FURNISHED ON 5' 2" PUMP SETTINGS AND LONGER.
- * STRAINER SHOWN BUT NOT FURNISHED ON 2" PUMP UNLESS SPECIFIED.

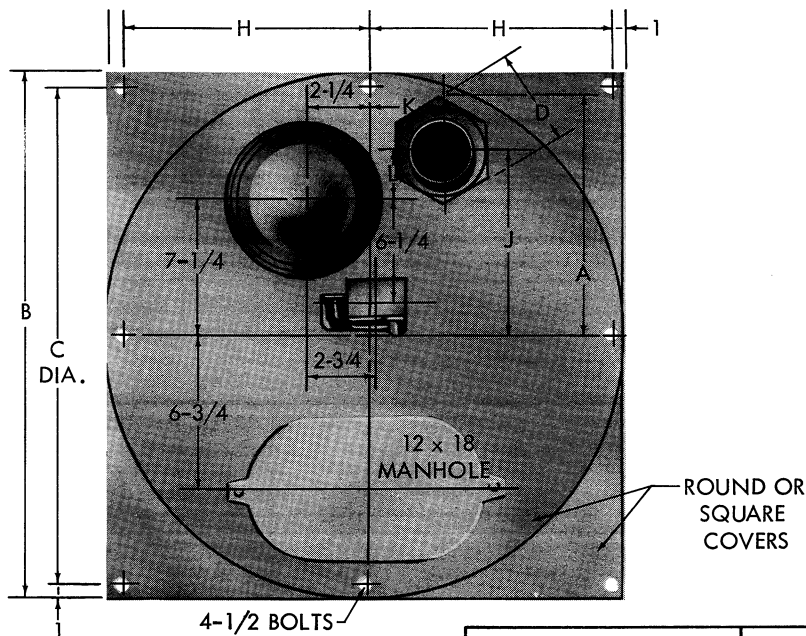
AURORA MODEL 521 PUMP ON SIMPLEX PLATE WITH MANHOLE

SECTION **520** PAGE **253**

DATED **AUGUST 1986**

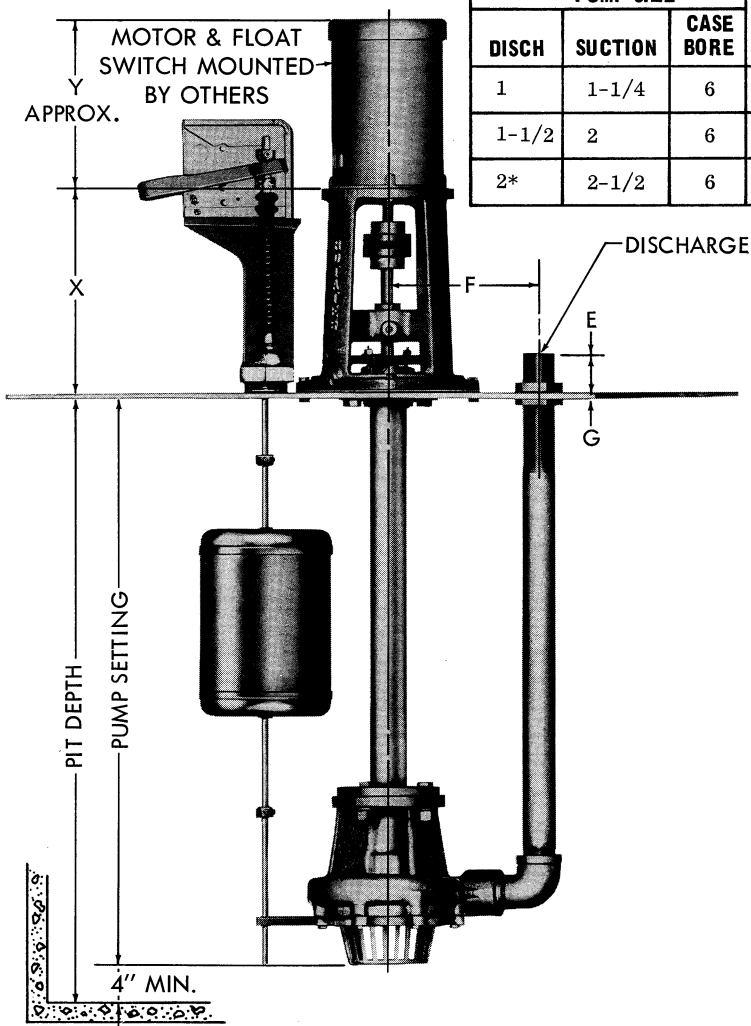
SUPERSEDES PAGE 253

DATED AUGUST 1974



FRAME	X	Y
56C	9-1/8	10
143TC	9-1/8	9-1/2
145TC	9-1/8	10-1/2

PIT SIZE	COVER SIZE B	C	H	G
				STEEL
30	34	32	16	3/8
36	40	38	19	3/8
42	46	44	22	3/8
48	53	51	25-1/2	3/8



PUMP SIZE			A	D	E	F	J	K	L
DISCH	SUCTION	CASE BORE							
1	1-1/4	6	11-7/16	1-3/4	2-1/2	6-1/8	10-9/16	3-7/8	3-5/16
1-1/2	2	6	12	2-1/2					
2*	2-1/2	6	12-1/4	3		6-5/8	10-3/4	4-3/8	3-1/2

NOTES

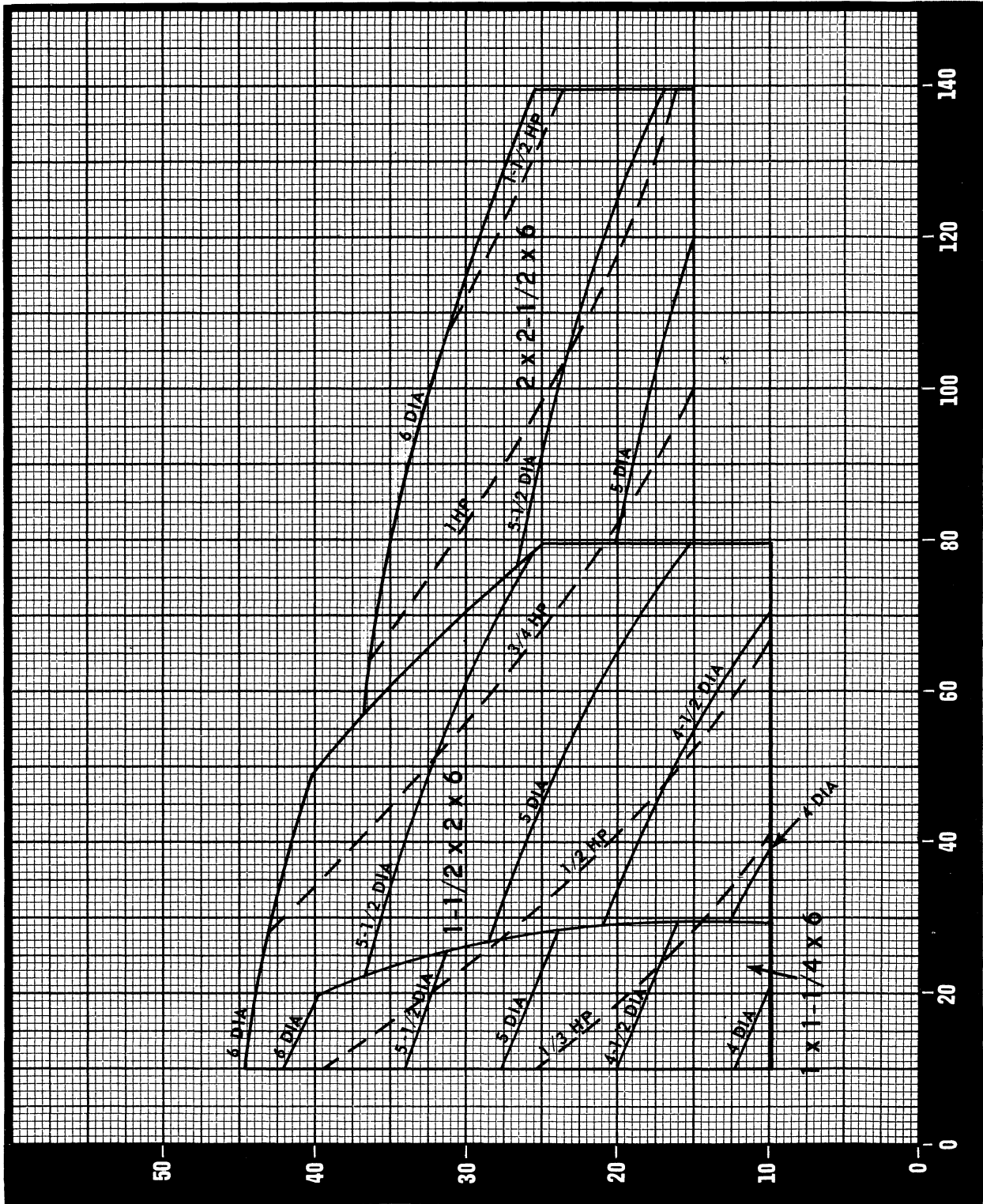
1. ALL DIMENSIONS IN INCHES.
2. DIMENSIONS MAY VARY $\pm 3/8"$.
3. NOT FOR CONSTRUCTION PURPOSES UNLESS CERTIFIED.
4. FLOAT SWITCH FURNISHED ONLY WHEN SPECIFIED.
5. LINE SHAFT BEARING FURNISHED ON 5' 2" PUMP SETTINGS AND LONGER.
- * STRAINER SHOWN BUT NOT FURNISHED ON 2" PUMP UNLESS SPECIFIED.

SELECTION CHART

DATED OCTOBER 1972

1750 R.P.M.

SEMI-OPEN IMPELLER



CAPACITY - G.P.M.

TOTAL DYNAMIC HEAD - FT.