

AURORA 390 SERIES PUMPS

MULTI-STAGE VERTICAL IN-LINE CENTRIFUGAL PUMP

MODELS 395A, 396A & 397	60HZ 3450 RPM
	50HZ 2880 RPM

	MODEL		
	395A	396A	397
A	7.60 (193)	7.60 (193)	8.66 (220)
B	10.24 (260)	10.24 (260)	10.24 (260)
C	12.60 (320)	12.60 (320)	14.37 (365)
D	4.13 (105)	4.13 (105)	5.51 (140)
E	7.60 (193)	7.60 (193)	8.66 (220)
F	10.24 (260)	10.24 (260)	10.24 (260)
G	2.50 (64)	3.00 (76)	4.00 (102)

395A

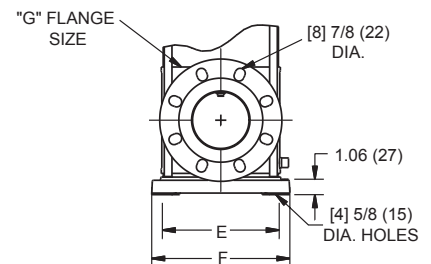
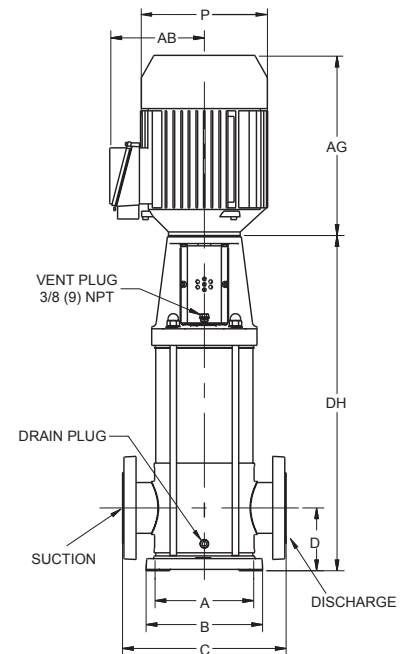
MODEL	# OF STAGES	HP 60HZ	HP 50HZ	FRAME	P	AB	AG	DH	WEIGHT (PUMP ONLY)
395A-2	2	10	7.5	215TC	8.86 (225)	6.61 (168)	14.53 (369)	20.71 (526)	103 (46.7)
395A-3	3	15	7.5	215TC	12.28 (312)	9.06 (230)	17.20 (437)	26.77 (680)	117 (53.1)
395A-4	4	20	15	254TC	12.28 (312)	9.06 (230)	17.20 (437)	28.66 (728)	123 (55.8)
395A-5	5	20	15	254TC	12.28 (312)	9.06 (230)	17.20 (437)	30.59 (777)	130 (59)
395A-6	6	25	20	284TSC	12.28 (312)	9.06 (230)	18.78 (477)	32.48 (825)	139 (63)
395A-7	7	30	20	286TSC	12.28 (312)	9.06 (230)	20.35 (517)	34.41 (874)	143 (65)

396A

MODEL	# OF STAGES	HP 60HZ	HP 50HZ	FRAME	P	AB	AG	DH	WEIGHT (PUMP ONLY)
396A-2	1	7.5	5	184TC	8.82 (224)	6.61 (168)	12.72 (323)	18.03 (458)	112 (50.8)
396A-3	2	15	7.5	215TC	8.86 (225)	6.61 (168)	13.46 (342)	20.71 (526)	116 (52.6)
396A-4	2	15	10	215TC	8.86 (225)	6.61 (168)	14.53 (369)	20.71 (526)	119 (54.0)
396A-5	3	20	15	254TC	12.28 (312)	9.06 (230)	17.20 (437)	26.77 (680)	123 (55.8)
396A-6	3	25	20	284TSC	12.28 (312)	9.06 (230)	17.20 (437)	26.77 (680)	128 (58.1)
396A-7	4	30	20	286TSC	12.28 (312)	9.06 (230)	17.20 (437)	28.66 (728)	132 (59.9)

397

MODEL	# OF STAGES	HP 60HZ	HP 50HZ	FRAME	P	AB	AG	DH	WEIGHT (PUMP ONLY)
397-1	1	7.5	5	184TC	9.88 (251)	7.84 (199)	16.5 (419)	22.4 (570)	111 (50.4)
397-2	2	15	10	215TC	11.5 (292)	9.31 (236)	19.5 (495)	26.7 (679)	119 (53.8)
397-3	3	20	15	254TC	12.75 (324)	10.38 (264)	21.13 (537)	30.2 (768)	126 (57.2)
397-4	4	25	20	284TSC	15.5 (394)	13.69 (348)	23.37 (594)	34.9 (886)	134 (60.6)
397-5	5	30	20	286TSC	15.5 (394)	13.69 (348)	23.37 (594)	38.4 (975)	141 (64.0)



1. MODELS 395A AND 396A USE ANSI 250 LB. SLIP RING FLANGES
2. MODEL 397 USES ANSI 125 LB. SLIP RING FLANGES

NOTES:

1. All dimensions are in inches (mm) and may vary $\pm 1/4$ (6).
2. Not for construction purposes unless certified.
3. Motor dimensions are representative and will vary by enclosure and manufacturer.