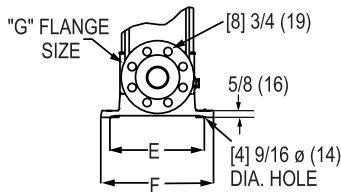
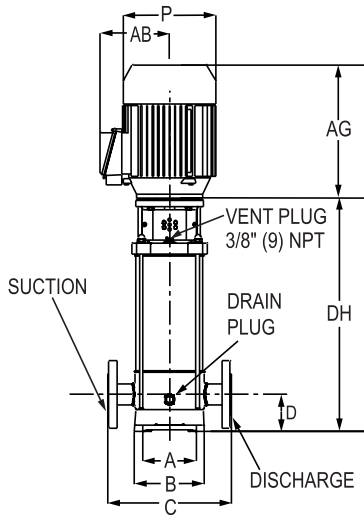


AURORA 390 SERIES PUMPS

MULTI-STAGE VERTICAL IN-LINE CENTRIFUGAL PUMP

MODELS 393 & 394	60HZ 3450 RPM
	50HZ 2880 RPM



MODEL 393 & 394
ANSI 250 LB.
SLIP RING FLANGE

	MODEL	
	393	394
A	5.12 (130)	5.12 (130)
B	6.69 (170)	6.69 (170)
C	11.81 (300)	11.81 (300)
D	3.50 (90)	3.50 (90)
E	8.46 (215)	8.46 (215)
F	10.04 (255)	10.04 (255)
G	2 (51)	2 (51)

393

MODEL	# OF STAGES	HP 60HZ	HP 50HZ	FRAME	P	AB	AG	DH	WEIGHT [PUMP ONLY]
393-2	2	1.5	1	143TC	7.38 (187)	6.19 (157)	11.76 (299)	13.63 (346)	35 (15.9)
393-3	3	3	2	182TC	9.88 (251)	7.84 (199)	16.5 (419)	15.5 (394)	37 (16.6)
393-4	4	3	2	182TC	9.88 (251)	7.84 (199)	16.5 (419)	16.63 (422)	38 (17.3)
393-5	5	5	2	184TC	9.88 (251)	7.84 (199)	16.5 (419)	17.63 (448)	45 (20.2)
393-6	6	5	3	184TC	9.88 (251)	7.84 (199)	16.5 (419)	18.5 (470)	46 (20.9)
393-7	7	7.5	3	184TC	9.88 (251)	7.84 (199)	16.5 (419)	19.75 (502)	48 (21.6)
393-8	8	7.5	3	184TC	9.88 (251)	7.84 (199)	16.5 (419)	20.88 (530)	49 (22.3)
393-10	10	10	7.5	215TC	11.5 (292)	9.31 (236)	19.5 (495)	23 (584)	56 (25.5)
393-12	12	10	7.5	215TC	11.5 (292)	9.31 (236)	19.5 (495)	25.5 (648)	56 (25.5)
393-14	14	15	7.5	215TC	11.5 (292)	9.31 (236)	19.5 (495)	27.5 (699)	59 (26.9)

394

MODEL	# OF STAGES	HP 60HZ	HP 50HZ	FRAME	P	AB	AG	DH	WEIGHT [PUMP ONLY]
394-2	2	5	3	184TC	9.88 (251)	7.84 (199)	16.5 (419)	15.13 (384)	42 (19.2)
394-3	3	7.5	3	184TC	9.88 (251)	7.84 (199)	16.5 (419)	16.38 (416)	44 (20.1)
394-4	4	7.5	5	184TC	9.88 (251)	7.84 (199)	16.5 (419)	17.75 (451)	46 (21.0)
394-5	5	10	7.5	215TC	11.5 (292)	9.31 (236)	19.5 (495)	19.5 (495)	49 (22.3)
394-6	6	15	7.5	215TC	11.5 (292)	9.31 (236)	19.5 (495)	21 (533)	51 (23.2)
394-7	7	15	10	215TC	11.5 (292)	9.31 (236)	19.5 (495)	22.25 (565)	53 (24.1)
394-8	8	15	10	215TC	11.5 (292)	9.31 (236)	19.5 (495)	23.5 (597)	55 (25.0)
394-9	9	20	15	254TC	12.75 (324)	10.38 (264)	21.13 (537)	25.5 (648)	61 (27.5)
394-10	10	20	15	254TC	12.75 (324)	10.38 (264)	21.13 (537)	27 (686)	63 (28.4)
394-12	12	25	20	284TSC	15.50 (394)	13.69 (348)	23.37 (594)	28.88 (734)	71 (32.4)

NOTES:

- All dimensions are in inches (mm) and may vary $\pm 1/4$ (6).
- Not for construction purposes unless certified.
- Motor dimensions are representative and will vary by enclosure and manufacturer.