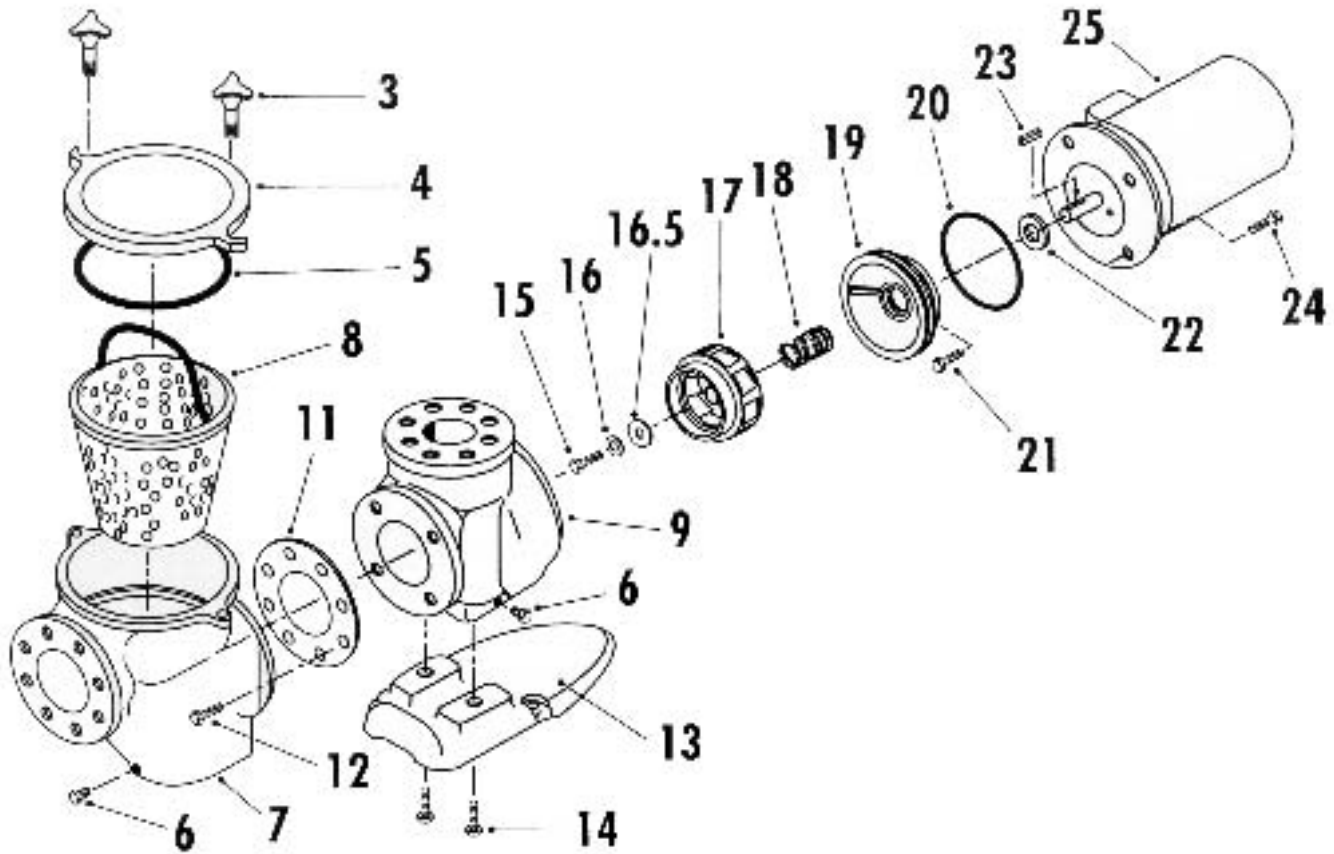


330 SERIES REPAIR PARTS INDEX

READ AND UNDERSTAND THE PUMP AND MOTOR
INSTRUCTIONS BEFORE ATTEMPTING TO INSTALL,
DISASSEMBLE OR REPAIR THE PUMP

330 SERIES

MODEL 330
PIECE NUMBERS



PARTS LIST

PIECE NO.	DESCRIPTION	QTY	PART NO.
3	HAND NUT ASSEMBLY - BRASS	2	544-75280-618
4	COVER, C-16 BRASS	1	260-75275-199
5	O-RING C-18	1	364-0525-457
6	PIPE PLUG, 1/4" BRASS	2	600-0002-190
7	STRAINER POT, BRASS C-22	1	796-75271-199
8	BASKET, C-29 SS 11"	1	704-72795-100
9	VOLUTE C-2 BRASS	1	180-75273-199
11	GASKET FLANGE	1	364-70943-603
12	SCREW, 3/4-10 X 1.75 HH BRASS P-12	4	168-0634-104
13	FOOT C-4 CAST IRON-COATED	1	820-75287-632
14	SCREW, 5/8-11 X 1 STL HD	2	168-0558-359
15	IMPELLER LOCK SCREW, C-35	1	168-0115-104
16	IMPELLER WASHER, C-71	1	908-71048-100
16.5	IMPELLER WASHER GASKET	1	364-2034-603
17	IMP CH50/CHK-50/CHKL-50 5HP (1-3PH) HIGH HEAD	1	444-73828-208
	IMP CM-50/CMK-50/CMKL-50 5HP (1-3PH) MEDIUM HEAD	1	444-70228-208
	IMP CHK-75/CHKL-75 7.5HP (3PH) HIGH HEAD	1	444-73829-208
	IMP CMK-75/CMKL-75 7.5HP (3PH) MEDIUM HEAD	1	444-70227-208
	IMP CM-75 7.5HP (1PH) HIGH HEAD	1	444-73829-208
	IMP CM-75 7.5HP (1PH) MEDIUM HEAD	1	444-70227-208
	IMP CHK-100/CHKL-100 10HP (3PH) HIGH HEAD	1	444-73830-208
	IMP CMK-100/CMKL-100 10HP (3PH) MEDIUM HEAD	1	444-70226-208
	IMP CHK-150/CHKL-150 15 HP (3PH) HIGH HEAD	1	444-73831-208
	IMP CMK-150/CMKL-150 15HP (3PH) MEDIUM HEAD	1	444-70225-208
	IMP CHK-200/CMKL-200 20HP (3PH) HIGH HEAD	1	444-73832-208
18	SEAL C-7	1	712-71725-753
19	FLANGE, C-52 BRASS	1	116-70906-199
20	O-RING (FLANGE) C-70`	1	364-0508-457
21	SCREW, 3/8-16 X 3/4 CS HH	2	168-0378-104
22	WATER SLINGER C-115	1	764-1043-478

PIECE NO.	DESCRIPTION	QTY	PART NO.
23	IMPELLER KEY 3/16" SQ	1	472-0201-104
24	SCREW 1/2-13 X 1.25 STD. HH	4	168-0490-359
25	MOTOR 5HP 1/60/230	1	525-71366-999
	MOTOR 5HP 3/60/220-440	1	525-71364-999
	MOTOR 7.5HP 1/60/230	1	525-357204-999
	MOTOR 7.5HP 3/60/220-440	1	525-71365-999
	MOTOR 10HP 3/60/220-440	1	525-71363-999
	MOTOR 15HP 3/60/220-440	1	525-71361-999
	MOTOR 20HP 3/60/220-440	1	525-71362-999
	MOTOR 5HP 3/50/380-415	1	525-72737-999
	MOTOR 7.5HP 3/50/380-415	1	525-72739-999
	MOTOR 10HP 3/50/380-415	1	525-72740-999
	MOTOR 15HP 3/50/380-415	1	525-72742-999*
	MOTOR 20HP 3/50/380-415	1	525-72744-999*
15	MOTOR SUB ASSEMBLY CM-50	1	A073260
THR	MOTOR SUB ASSEMBLY CH-50	1	A073264
25	MOTOR SUB ASSEMBLY CMK-50	1	A073262
	MOTOR SUB ASSEMBLY CHK-50	1	A073265
	MOTOR SUB ASSEMBLY CM-75	1	A357905
	MOTOR SUB ASSEMBLY CH-75	1	A357910
	MOTOR SUB ASSEMBLY CMK-75	1	A073263
	MOTOR SUB ASSEMBLY CHK-75	1	A073266
	MOTOR SUB ASSEMBLY CMK-100	1	A073680
	MOTOR SUB ASSEMBLY CHK-100	1	A073267
	MOTOR SUB ASSEMBLY CMK-150	1	A073261
	MOTOR SUB ASSEMBLY CHK-150	1	A073268
	MOTOR SUB ASSEMBLY CHK-200	1	A073269
	MOTOR SUB ASSEMBLY CMKL-50	1	A014700
	MOTOR SUB ASSEMBLY CHKL-50	1	A014801
	MOTOR SUB ASSEMBLY CMKL-75	1	A014701
	MOTOR SUB ASSEMBLY CHKL-75	1	A014802
	MOTOR SUB ASSEMBLY CMKL-100	1	A014702
	MOTOR SUB ASSEMBLY CHKL-100	1	A014803
	MOTOR SUB ASSEMBLY CMKL-150	1	A014703*
	MOTOR SUB ASSEMBLY CHKL-150	1	A014804*
	MOTOR SUB ASSEMBLY CHKL-200	1	A014805*

* SUITABLE FOR WYE-DELTA START

ap AURORA®
Pentair Pump Group

800 Airport Road
North Aurora, IL 60542
phone: 630-859-7000
fax: 630-859-7060