

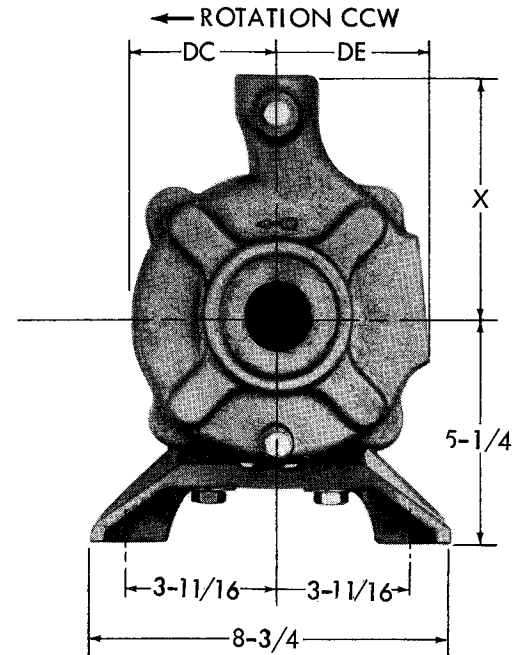
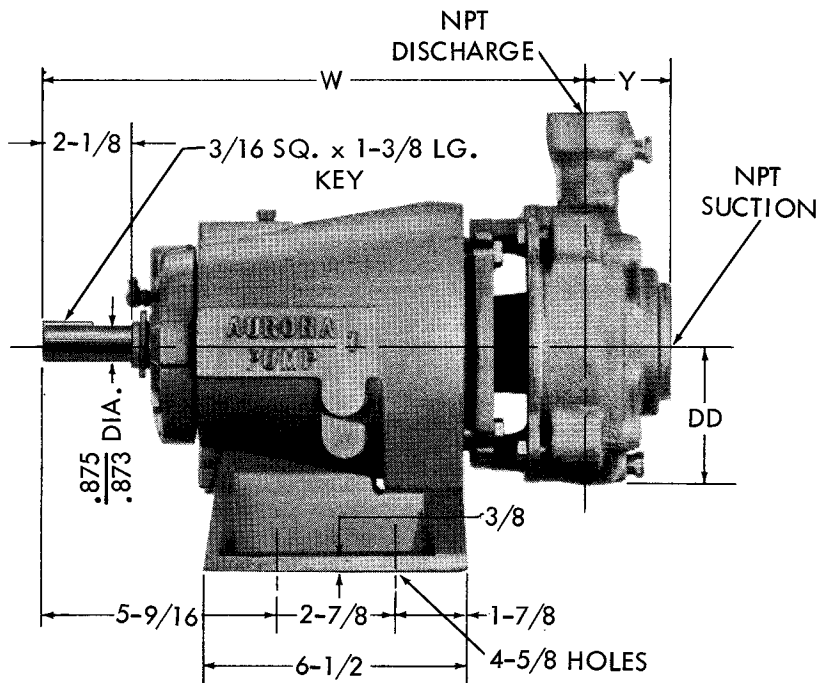
AURORA MODEL 324A PUMP

SECTION 320 PAGE 205

DATED JULY 1986

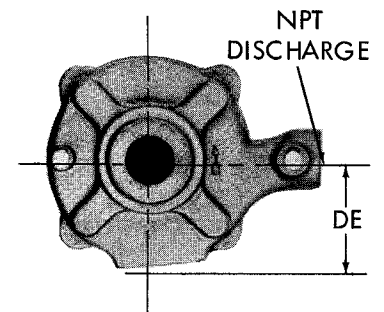
SUPERSEDES PAGE 205

DATED OCTOBER 1974

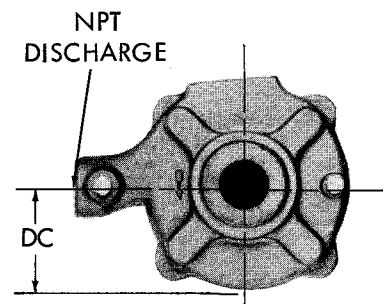


STANDARD POSITION (1)

OPTIONAL DISCHARGE POSITIONS



POSITION (2)



POSITION (4)

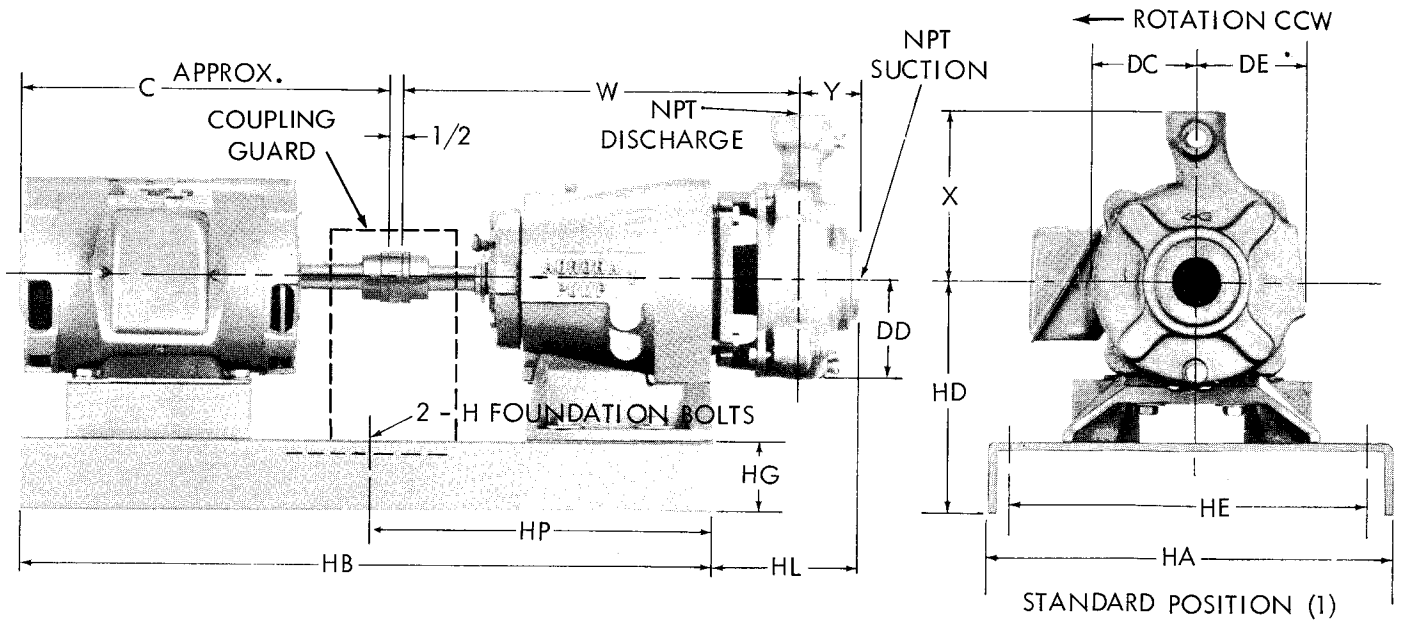
NOTES

1. ALL DIMENSIONS IN INCHES.
2. NOT FOR CONSTRUCTION PURPOSES UNLESS CERTIFIED.
3. DIMENSIONS MAY VARY $\pm 1/4$.
4. CHECK DISCHARGE POSITION, CASING DIMENSIONS WHICH EXCEED DIMENSION 5-1/4 MAY REQUIRE PADS FOR THE MOTOR.

PUMP SIZE			W	X	Y	DC	DD	DE
DISCHARGE	SUCTION	CASE BORE						
3/4	1	6A	13 1/8	5 1/2	1 3/4	3 5/16	3 7/16	3 7/8
3/4	1	7	13 1/8	6 1/4	1 7/8	3 15/16	4	4 7/16
1	1 1/4	4	13 1/4	4 1/8	1 11/16	2 3/8	2 3/8	2 7/16
1	1 1/4	5	13 3/16	5	2	2 13/16	2 7/8	3
1	1 1/4	6	13 3/16	5 1/2	1 15/16	3 5/16	3 3/8	3 7/8
1 1/4	1 1/2	5	13 1/4	5	1 15/16	2 7/8	2 15/16	3 7/16
1 1/4	1 1/2	7A	13 1/4	6 1/4	2	4	4 1/16	4 1/2
1 1/4	1 1/2	7B	13 3/16	6 1/4	2 7/16	4	4 1/8	4 5/8
1 1/4	1 1/2	9	13 3/16	8	2 1/4	5 13/16	5 3/16	5 13/16
1 1/2	2	4	13 3/8	5	2 1/8	2 1/2	3	2 3/4
1 1/2	2	7	13 3/16	7	2 1/4	4 1/16	4 1/4	4 7/8
2	2 1/2	4	13 3/4	5	3 1/16	2 1/2	3	2 13/16
2	2 1/2	5	13 3/8	6	2 11/16	3	3 3/16	3 7/16
2	2 1/2	6	13 5/16	6	2 3/4	3 1/2	3 11/16	4 3/8
2	2 1/2	7	13 3/8	7	2 15/16	4 1/16	4 5/16	4 7/8
3	3	6	13 1/2	8	3 5/8	3 7/8	4 7/16	5 7/8

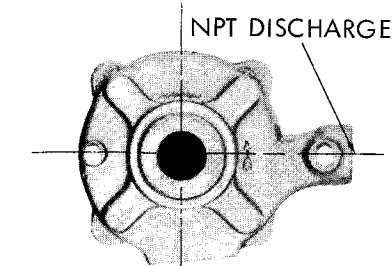
AURORA MODEL 324A PUMPS ON STEEL BASES

SECTION 320 PAGE 251
DATED JANUARY 1988
SUPERSEDES PAGE 251
DATED OCTOBER 1974

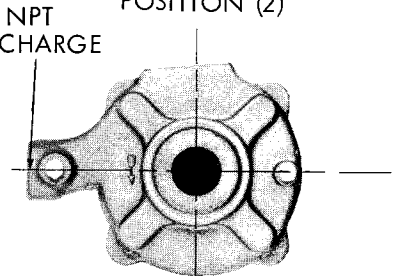


FRAME	C APPROX.	H	HA	HB	HD	HE	HG	HP
48	10	3/8	9	21	7 11/16	7	2 7/16	10 1/2
56	12	3/8	9	21	7 11/16	7	2 7/16	10 1/2
143T	12	3/8	9	21	7 11/16	7	2 7/16	10 1/2
145T*	13	3/8	9	21	7 11/16	7	2 7/16	10 1/2
182T	13	1/2	10	24	7 7/8	7	2 5/8	12
184T	14	1/2	10	24	7 7/8	7	2 5/8	12
213T	16	1/2	12	27	8 1/4	9	3	13 1/2

PUMP SIZE			W	X	Y	DC	DD	DE	HL
DISCHARGE	SUCTION	CASE BORE							
3/4	1	6A	13 1/8	5 1/2	1 3/4	3 5/16	3 7/16	3 3/8	4 9/16
3/4	1	7	13 1/8	6 1/4	1 7/8	3 15/16	4	4 7/16	4 11/16
1	1 1/4	4	13 1/4	4 1/8	1 11/16	2 3/8	2 3/8	2 7/16	4 5/8
1	1 1/4	5	13 3/16	5	2	2 13/16	2 7/8	3	4 7/8
1	1 1/4	6	13 3/16	5 1/2	1 15/16	3 5/16	3 3/8	3 7/8	4 13/16
1 1/4	1 1/2	5	13 1/4	5	1 15/16	2 7/8	2 15/16	3 7/16	4 7/8
1 1/4	1 1/2	7A	13 1/4	6 1/4	2	4	4 1/16	4 1/2	4 15/16
1 1/4	1 1/2	7B	13 3/16	6 1/4	2 7/16	4	4 1/8	4 5/8	5 1/16
1 1/4	1 1/2	9	13 3/16	8	2 1/4	5 13/16	5 3/16	5 13/16	5 1/8
1 1/2	2	4	13 3/8	5	2 1/8	2 1/2	3	2 3/4	5 3/16
1 1/2	2	7	13 3/16	7	2 1/4	4 1/16	4 1/4	4 7/8	5 1/8
2	2 1/2	4	13 3/4	5	3 1/16	2 1/2	3	2 13/16	6 1/2
2	2 1/2	5	13 3/8	6	2 11/16	3	3 3/16	3 7/16	5 3/4
2	2 1/2	6	13 5/16	6	2 3/4	3 1/2	3 11/16	4 3/8	5 3/4
2	2 1/2	7	13 3/8	7	2 15/16	4 1/16	4 5/16	4 7/8	6
3	3	6	13 1/2	8	3 5/8	3 7/8	4 7/16	5 7/8	6 13/16



POSITION (2)



POSITION (4)

NOTES

1. ALL DIMENSIONS IN INCHES.
2. DIMENSIONS MAY VARY ± 3/8.
3. NOT FOR CONSTRUCTION PURPOSES UNLESS CERTIFIED.
4. CONDUIT BOX SHOWN IN APPROXIMATE LOCATION, CAPACITOR, WHEN FURNISHED, NORMALLY APPEARS ON TOP OF MOTOR. DIMENSIONS ARE NOT SPECIFIED AS THEY VARY WITH EACH MOTOR MANUFACTURER.

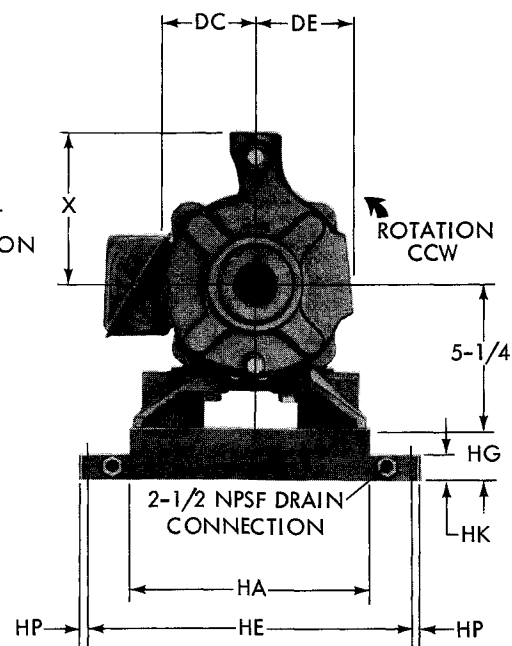
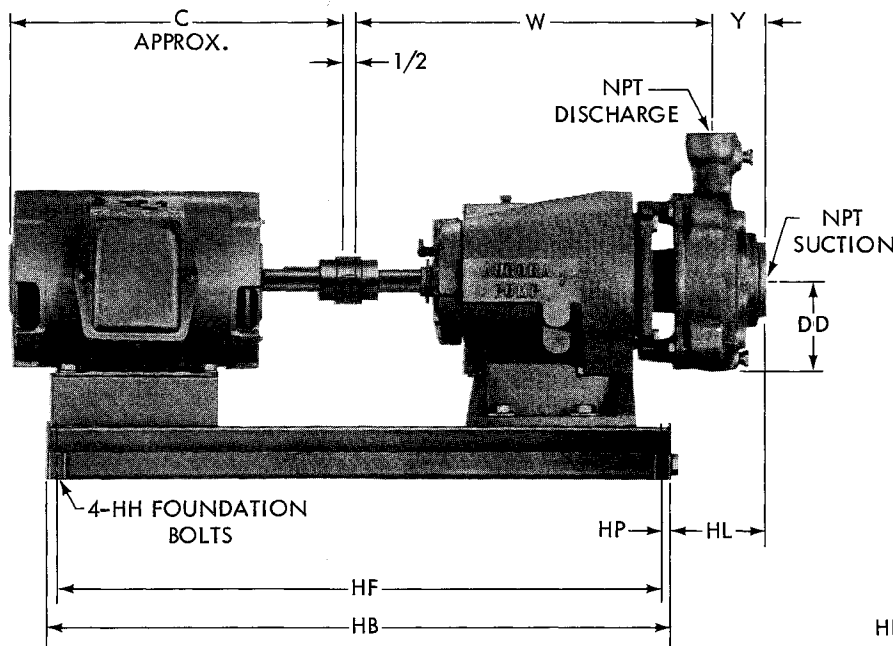
AURORA MODEL 324A PUMPS ON STEEL DRIP RIM BASE

SECTION 320 PAGE 301

DATED JUNE 1994

SUPERSEDES PAGE 301

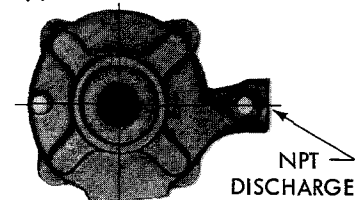
DATED OCTOBER 1977



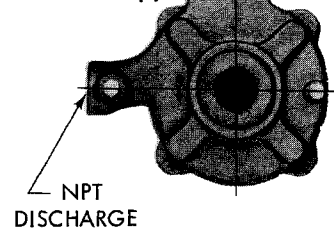
FRAME	C APPROX.	BASE SIZE	HH	HA	HB	HE	HG	HK	HF	HP
48	10	9 x 22	3/8	9	22-1/2	13-3/4	3	1-1/2	21-1/4	5/8
56	12	9 x 22	3/8	9	22-1/2	13-3/4	3	1-1/2	21-1/4	5/8
143T	12	9 x 22	3/8	9	22-1/2	13-3/4	3	1-1/2	21-1/4	5/8
145T	13	9 x 26	3/8	9	26-1/2	13-3/4	3	1-1/2	25-1/4	5/8
182T	13	9 x 26	3/8	9	26-1/2	13-3/4	3	1-1/2	25-1/4	5/8
184T	14	9 x 26	3/8	9	26-1/2	13-3/4	3	1-1/2	25-1/4	5/8
213T	16	11 x 30	1/2	11	30-1/2	15-7/8	3	1-1/2	29-1/8	11/16

PUMP SIZE		CASE BORE	W	X	Y	DC	DD	DE	HL
DISCH	SUCT								
3/4	1	6A	13-1/8	5-1/2	1-3/4	3-5/16	3-7/16	3-7/8	3-1/16
3/4	1	7	13-1/8	6-1/4	1-7/8	3-15/16	4	4-7/16	3-3/16
1	1-1/4	4	13-1/4	4-1/8	1-11/16	2-3/8	2-3/8	2-7/16	3-1/8
1	1-1/4	5	13-3/16	5	2	2-13/16	2-7/8	3	3-3/8
1	1-1/4	6	13-3/16	5-1/2	1-15/16	3-5/16	3-3/8	3-7/8	3-5/16
1-1/4	1-1/2	5	13-1/4	5	1-15/16	2-7/8	2-15/16	3-7/16	3-3/8
1-1/4	1-1/2	7A	13-1/4	6-1/4	2	4	4-1/16	4-1/2	3-7/16
1-1/4	1-1/2	7B	13-3/16	6-1/4	2-7/16	4	4-1/8	4-5/8	3-13/16
1-1/4	1-1/2	9	13-3/16	8	2-1/4	5-13/16	5-3/16	5-13/16	4-5/8
1-1/2	2	4	13-3/8	5	2-1/8	2-1/2	3	2-3/4	3-11/16
1-1/2	2	7	13-3/16	7	2-1/4	4-1/16	4-1/4	4-7/8	3-5/8
2	2-1/2	4	13-3/4	5	3-1/16	2-1/2	3	2-13/16	5
2	2-1/2	5	13-3/8	6	2-11/16	3	3-3/16	3-7/16	4-1/4
2	2-1/2	6	13-5/16	6	2-3/4	3-1/2	3-11/16	4-3/8	4-1/4
2	2-1/2	7	13-3/8	7	2-15/16	4-1/16	4-5/16	4-7/8	4-1/2
3	3	6	13-1/2	8	3-5/8	3-7/8	4-7/16	5-7/8	5-5/16

POSITION (2)



POSITION (4)



NOTES:

1. All Dimensions in inches.
2. Dimensions may vary $\pm 3/8$.
3. Not for construction purposes unless certified.
4. Conduit box shown in approximate location. Capacitor, when furnished, normally appears on top of motor. Dimensions are not specified as they vary with each motor manufacturer.