

AURORA MODELS 321, 322, 323

SECTION 320 PAGE 71

60 HERTZ MOTOR DATA SHEET

DATED APRIL 1970

1 PHASE: 115-230 VOLTS

SUPERSEDES PAGE 73
DATED SEPTEMBER 1969

3 PHASE: 200 (ONLY) OR 230/460 VOLTS

AURORA MOTOR FRAMES

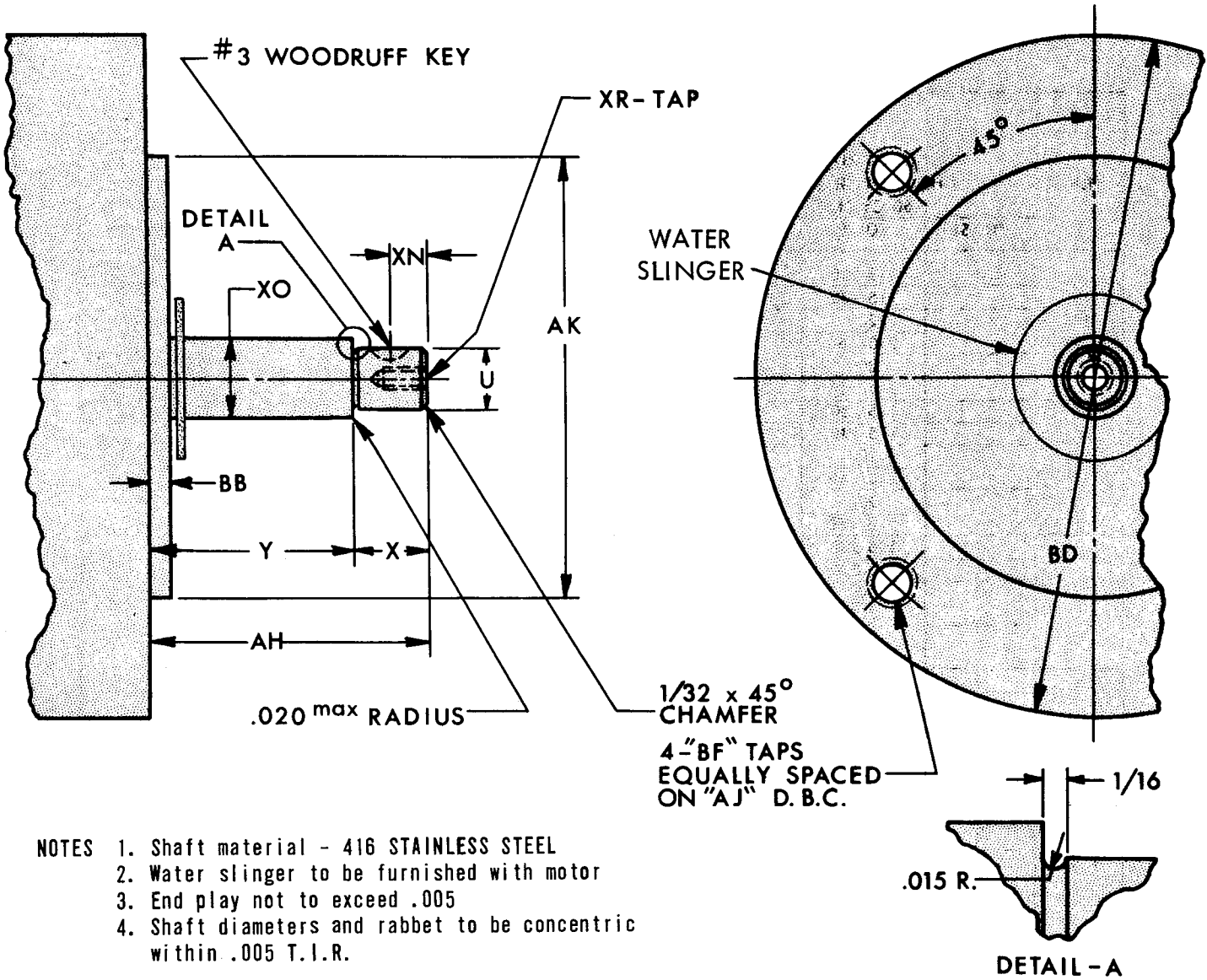
H.P.	ELECTRICAL CHARACTERISTICS 60 CYCLE			HORIZONTAL AND VERTICAL			
				OPEN DRIPPROOF FRAME	SERVICE FACTOR O.D.P.	TEFC & EXP PROOF FRAME	SERVICE FACTOR TEFC & EXP PROOF
	PHASE	VOLT	R.P.M.				
1/3	1	115-230	1750	56	1.35		
	1	115-230	3500	56	1.60		
	3	200	1750	56	1.35	56	1.0
		230/460	1750				
	3	200	3500	56	1.75	56	1.0
230/460		3500					
1/2	1	115-230	1750	56	1.25	56	1.0
	1	115-230	3500	56	1.60	56	1.0
	3	200	1750	56	1.25	56	1.0
		230/460	1750				
	3	200	3500	56	1.60	56	1.0
230/460		3500					
3/4	1	115-230	1750	56	1.25	56	1.0
	1	115-230	3500	56	1.50	56	1.0
	3	200	1750	56	1.25	56	1.0
		230/460	1750				
	3	200	3500	56	1.50	56	1.0
230/460		3500					
1	1	115-230	1750	56	1.25	56	1.0
	1	115-230	3500	56	1.40	56	1.0
	3	200	1750	56	1.25	56	1.0
		230/460	1750				
	3	200	3500	56	1.40	56	1.0
230/460		3500					
1-1/2	1	115-230	1750	145T	1.15	145T	1.0
	1	115-230	3500	56	1.40	56	1.0
	3	200	1750	56	1.20	56	1.0
		230/460	1750				
	3	200	3500	56	1.40	56	1.0
230/460		3500					
2	1	115-230	1750	182T	1.15	182T	1.0
	1	115-230	3500	56	1.20	145T	1.0
	3	200	1750	145T	1.15	145T	1.0
		230/460	1750				
	3	200	3500	56	1.20	145T	1.0
230/460		3500					
3	1	115-230	1750	184T	1.15	184T	1.0
	1	115-230	3500	182T	1.15	182T	1.0
	3	200	1750	182T	1.15	182T	1.0
		230/460	1750				
	3	200	3500	145T	1.15	182T	1.0
230/460		3500					
5	3	200	1750	184T	1.15	184T	1.0
		230/460	1750				
	3	200	3500	182T	1.15	184T	1.0
230/460		3500					
7-1/2	3	200	3500	184T	1.15	N.A.	1.0
		230/460	3500				

AURORA MODELS 321, 323

SHAFT EXTENSION

DATED APRIL 1970

SUPERSEDES SECTION 320 PAGE 74
DATED MARCH 1966



- NOTES
1. Shaft material - 416 STAINLESS STEEL
 2. Water slinger to be furnished with motor
 3. End play not to exceed .005
 4. Shaft diameters and rabbet to be concentric within .005 T.I.R.

FRAME SIZE	U	X	Y	AH	AJ	AK	BB	BD	BF	XN	XO	XR
56												
145T												
182T	.5900	11/16	1-7/8	2-9/16	5-7/8	4.500	1/8	6-1/2	3/8-16	5/16	.7500	1/4-28
184T	.5895					4.497			N.C. 5/8 DEEP		.7495	N.F. 1/2 DEEP

