

AURORA MODELS 133, 134, 135

60 HERTZ MOTOR DATA SHEET

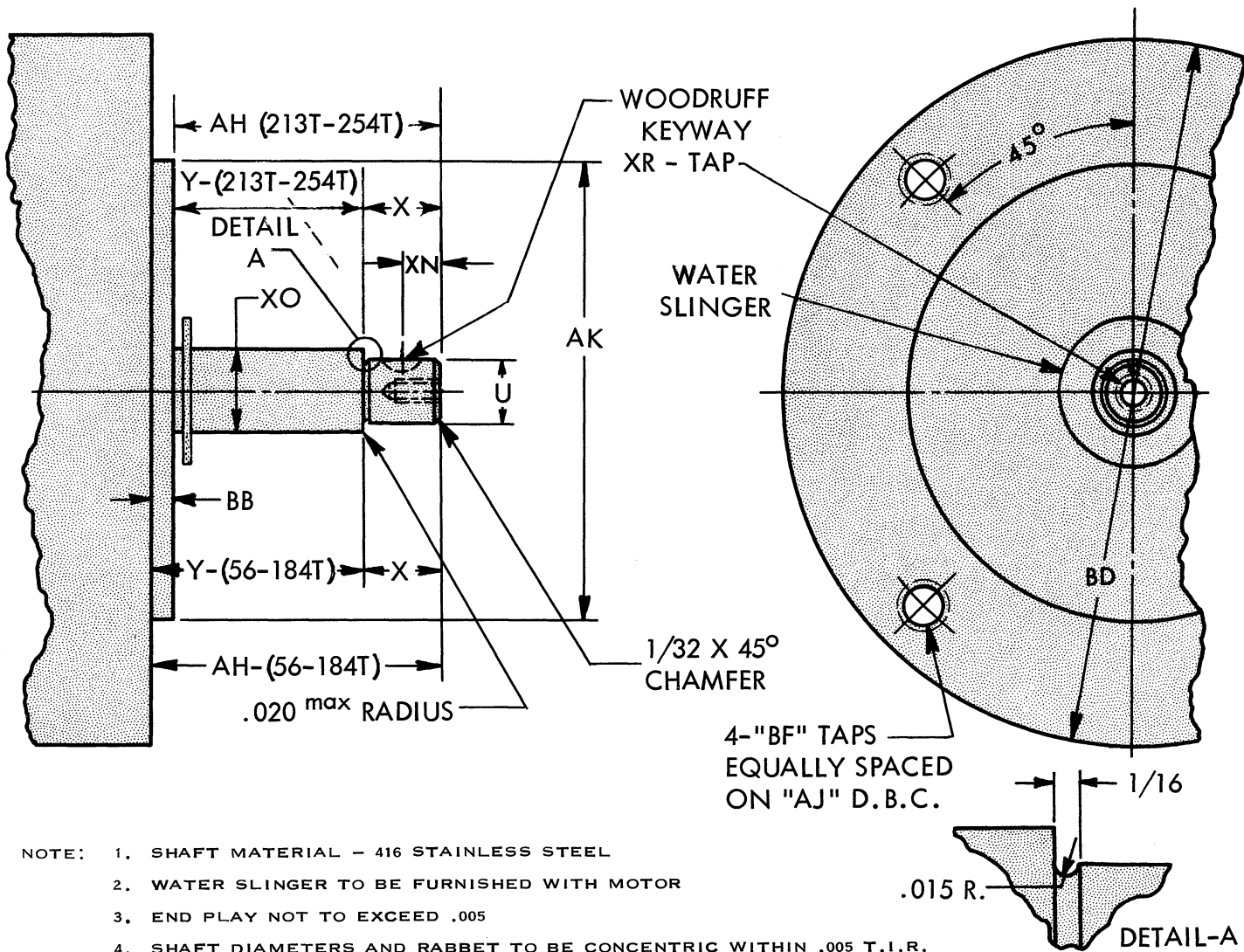
DATED APRIL 1970

1 PHASE: 115-230 VOLTS

SUPERSEDES PAGE 15
DATED JANUARY 1968

3 PHASE: 200 (ONLY) OR 230/460 VOLTS
AURORA MOTOR FRAMES

H.P.	ELECTRICAL CHARACTERISTICS 60 CYCLE			HORIZONTAL AND VERTICAL			
				OPEN DRIPPROOF FRAME	SERVICE FACTOR O.D.P.	TEFC & EXP PROOF FRAME	SERVICE FACTOR TEFC & EXP PROOF
	PHASE	VOLT	R.P.M.				
1/3	1	115-230	1750	56	1.35		
	1	115-230	3500	56	1.60		
	3	200	1750	56	1.35	56	1.0
		230/460	1750				
	3	200	3500	56	1.75	56	1.0
		230/460	3500				
1/2	1	115-230	1750	56	1.25	56	1.0
	1	115-230	3500	56	1.60	56	1.0
	3	200	1750	56	1.25	56	1.0
		230/460	1750				
	3	200	3500	56	1.60	56	1.0
		230/460	3500				
3/4	1	115-230	1750	56	1.25	56	1.0
	1	115-230	3500	56	1.50	56	1.0
	3	200	1750	56	1.25	56	1.0
		230/460	1750				
	3	200	3500	56	1.50	56	1.0
		230/460	3500				
1	1	115-230	1750	56	1.25	56	1.0
	1	115-230	3500	56	1.40	56	1.0
	3	200	1750	56	1.25	56	1.0
		230/460	1750				
	3	200	3500	56	1.40	56	1.0
		230/460	3500				
1-1/2	1	115-230	1750	145T	1.15	145T	1.0
	1	115-230	3500	56	1.40	56	1.0
	3	200	1750	56	1.20	56	1.0
		230/460	1750				
	3	200	3500	56	1.40	56	1.0
		230/460	3500				
2	1	115-230	1750	182T	1.15	182T	1.0
	1	115-230	3500	56	1.20	145T	1.0
	3	200	1750	145T	1.15	145T	1.0
		230/460	1750				
	3	200	3500	56	1.20	145T	1.0
		230/460	3500				
3	1	115-230	1750	184T	1.15	184T	1.0
	1	115-230	3500	182T	1.15	182T	1.0
	3	200	1750	182T	1.15	182T	1.0
		230/460	1750				
	3	200	3500	145T	1.15	182T	1.0
		230/460	3500				
5	3	200	1750	184T	1.15	184T	1.0
		230/460	1750				
	3	200	3500	182T	1.15	184T	1.0
		230/460	3500				
7-1/2	3	200	3500	184T	1.15	213T	1.0
		230/460	3500				
10	3	200	3500	213T	1.15	215T	1.0
		230/460	3500				
15	3	200	3500	215T	1.15	254T	1.0
		230/460	3500				
20	3	200	3500	254T	1.15	256T	1.0
		230/460	3500				



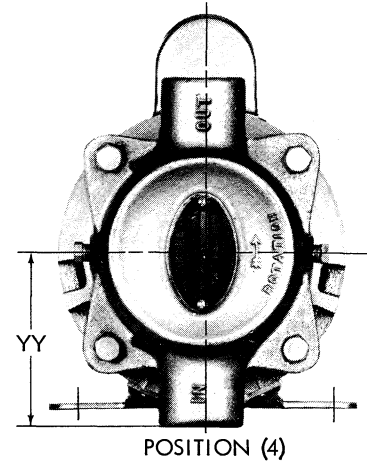
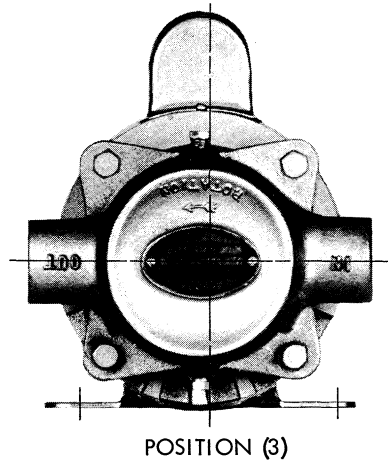
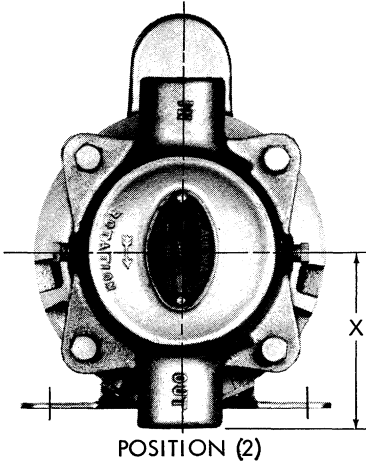
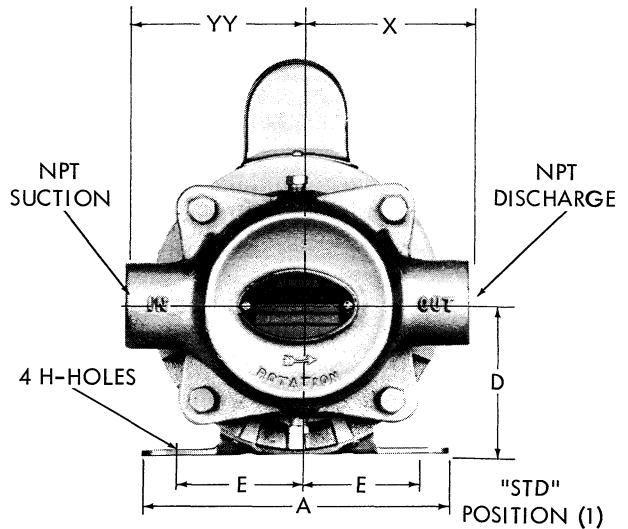
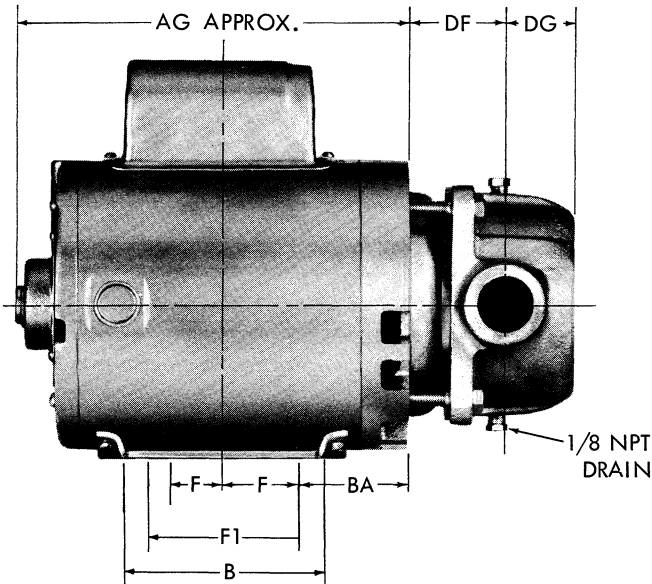
FRAME SIZE	U	X	Y	AH	AJ	AK	BB	BD	BF SIZE & DEPTH	XN	XO	XR	WOODRUFF KEY
56													
145T	.5900	1 ¹ / ₁₆	1 ⁷ / ₈	2 ⁹ / ₁₆	5 ⁷ / ₈	4.500	1/8	6 1/2	3/8 - 16 N.C. 5/8 DEEP	5/16	.7500	1/4 - 28 N.F. 1/2 DEEP	#3
182T	.5895					4.497					.7495		
184T													
213T	.8750	1 ¹ / ₁₆	1 ⁷ / ₈	2 ⁹ / ₁₆	7 1/4	8.500	1/4	8 7/8	1/2 - 13 N.C. 5/8 DEEP	5/16	1.1250	3/8 - 24 N.F. 3/4 DEEP	#61
215T	.8745					8.497					1.1245		
254T													

SECTION 130 PAGE 202 — AURORA MODEL 134 & 135 PUMPS

DATED JUNE 1987

SUPERSEDES PAGE 202

DATED NOVEMBER 1969



PUMP	MODEL	134					135				
		SIZE	A04	B04	C04	D04	F05	G05	H05	I05	J05

MODEL	SUCTION	DISCH.	DF	DG	X	YY
134	1	1	2	1-11/16	3-3/4	3-3/4
135	2	1-1/2	2-1/4	2-1/4	4-1/2	4-1/2

FRAME	A	B	D	E	F	F1	H	AG	BA
56	6-3/4	4	3-1/2	2-7/16	1-1/2	—	11/32 SLOT	11	2-9/16
143T	7	6	3-1/2	2-3/4	2	—	11/32 SLOT	10	2-7/8
145T	7	6	3-1/2	2-3/4	2-1/2	—	11/32 SLOT	11	2-7/8
182T	8-3/4	6-5/8	4-1/2	3-3/4	2-1/4	—	11/32 SLOT	11	3-5/8
184T	8-3/4	6-5/8	4-1/2	3-3/4	—	5-1/2	11/32 SLOT	12	3-5/8
213T	9-1/2	8	5-1/4	4-1/4	2-3/4	—	7/16	14	4-1/2
215T	9-1/2	8	5-1/4	4-1/4	3-1/2	—	7/16	15	4-1/2
254T	12-1/2	10-1/4	6-1/4	5	4-1/8	—	17/32	17	5

NOTES:

1. ALL DIMENSIONS IN INCHES.
2. NOT FOR CONSTRUCTION PURPOSES UNLESS CERTIFIED.
3. CONDUIT BOX IS SHOWN IN APPROXIMATE LOCATION. CAPACITOR WHEN FURNISHED NORMALLY APPEARS ON TOP OF MOTOR. DIMENSIONS ARE NOT SPECIFIED AS THEY VARY WITH EACH MOTOR MANUFACTURER.
4. DIMENSIONS MAY VARY $\pm 1/4"$.
5. CHECK DISCHARGE POSITION, CASING DIMENSIONS WHICH EXCEED DIMENSION "D" MAY REQUIRE PADS FOR THE MOTOR.