

# AURORA MODELS 133, 134, 135

## 60 HERTZ MOTOR DATA SHEET

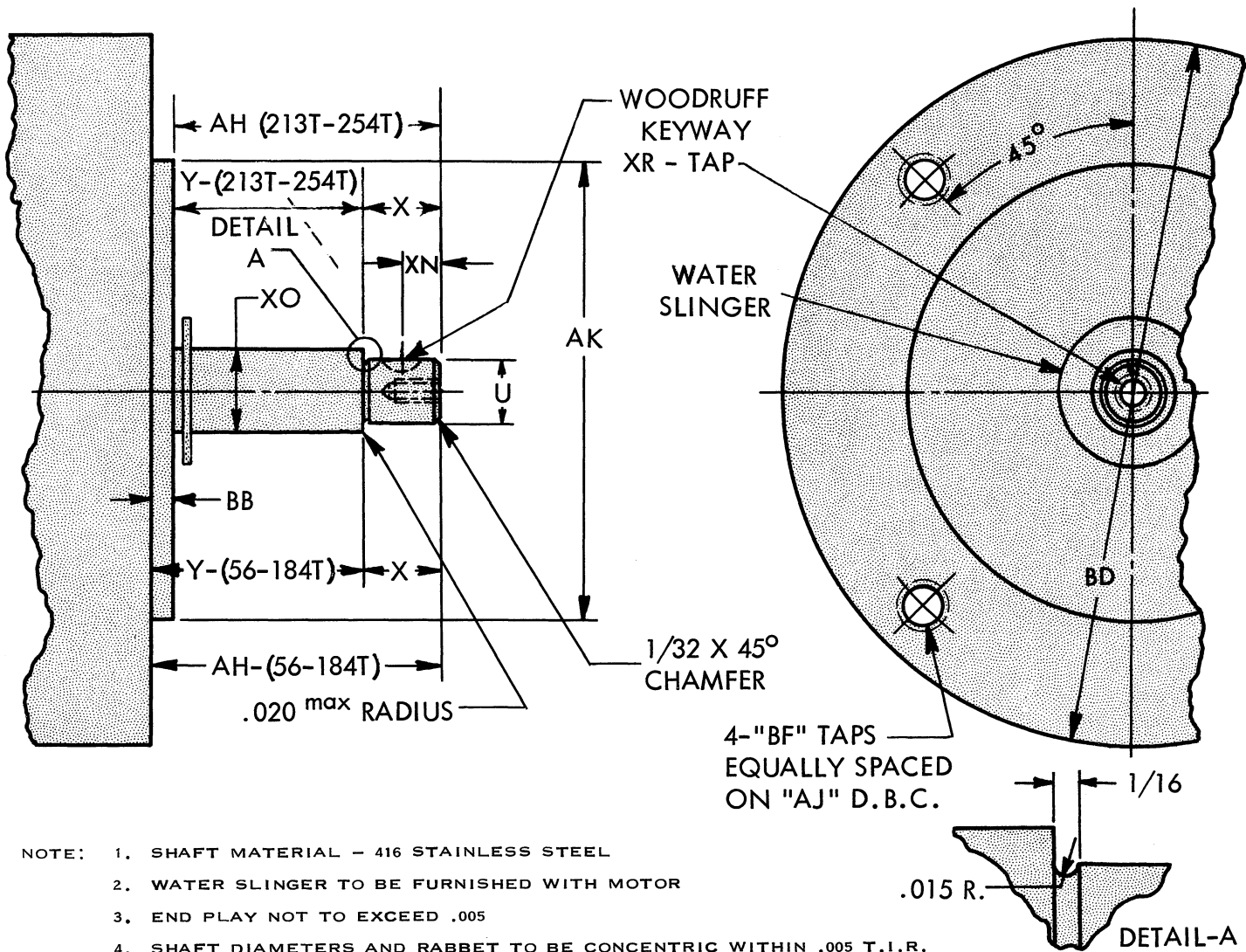
DATED APRIL 1970

1 PHASE: 115-230 VOLTS

SUPERSEDES PAGE 15  
DATED JANUARY 1968

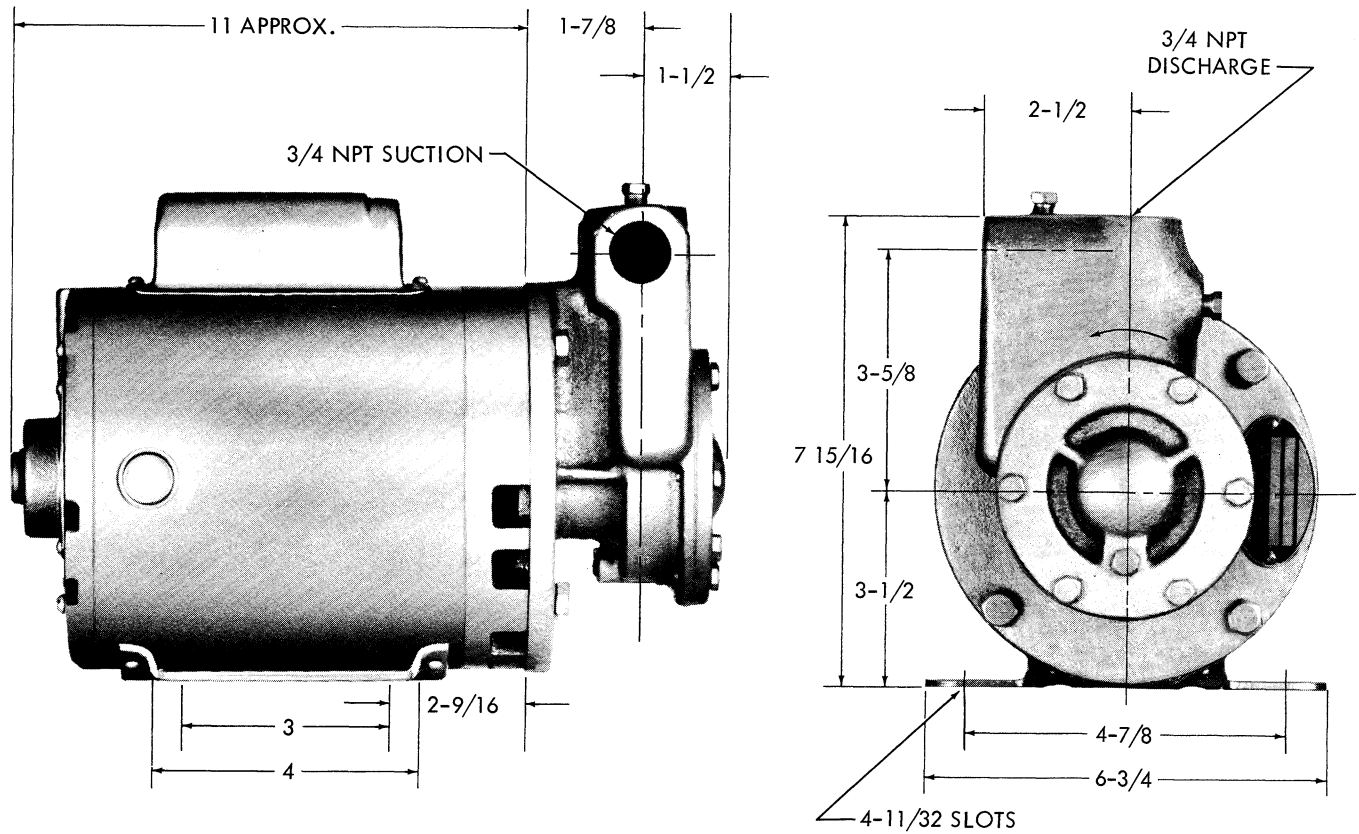
3 PHASE: 200 (ONLY) OR 230/460 VOLTS  
AURORA MOTOR FRAMES

H.P.	ELECTRICAL CHARACTERISTICS 60 CYCLE			HORIZONTAL AND VERTICAL			
				OPEN DRIPPROOF FRAME	SERVICE FACTOR O.D.P.	TEFC & EXP PROOF FRAME	SERVICE FACTOR TEFC & EXP PROOF
	PHASE	VOLT	R.P.M.				
1/3	1	115-230	1750	56	1.35		
	1	115-230	3500	56	1.60		
	3	200	1750	56	1.35	56	1.0
		230/460	1750				
	3	200	3500	56	1.75	56	1.0
		230/460	3500				
1/2	1	115-230	1750	56	1.25	56	1.0
	1	115-230	3500	56	1.60	56	1.0
	3	200	1750	56	1.25	56	1.0
		230/460	1750				
	3	200	3500	56	1.60	56	1.0
		230/460	3500				
3/4	1	115-230	1750	56	1.25	56	1.0
	1	115-230	3500	56	1.50	56	1.0
	3	200	1750	56	1.25	56	1.0
		230/460	1750				
	3	200	3500	56	1.50	56	1.0
		230/460	3500				
1	1	115-230	1750	56	1.25	56	1.0
	1	115-230	3500	56	1.40	56	1.0
	3	200	1750	56	1.25	56	1.0
		230/460	1750				
	3	200	3500	56	1.40	56	1.0
		230/460	3500				
1-1/2	1	115-230	1750	145T	1.15	145T	1.0
	1	115-230	3500	56	1.40	56	1.0
	3	200	1750	56	1.20	56	1.0
		230/460	1750				
	3	200	3500	56	1.40	56	1.0
		230/460	3500				
2	1	115-230	1750	182T	1.15	182T	1.0
	1	115-230	3500	56	1.20	145T	1.0
	3	200	1750	145T	1.15	145T	1.0
		230/460	1750				
	3	200	3500	56	1.20	145T	1.0
		230/460	3500				
3	1	115-230	1750	184T	1.15	184T	1.0
	1	115-230	3500	182T	1.15	182T	1.0
	3	200	1750	182T	1.15	182T	1.0
		230/460	1750				
	3	200	3500	145T	1.15	182T	1.0
		230/460	3500				
5	3	200	1750	184T	1.15	184T	1.0
		230/460	1750				
	3	200	3500	182T	1.15	184T	1.0
		230/460	3500				
7-1/2	3	200	3500	184T	1.15	213T	1.0
		230/460	3500				
10	3	200	3500	213T	1.15	215T	1.0
		230/460	3500				
15	3	200	3500	215T	1.15	254T	1.0
		230/460	3500				
20	3	200	3500	254T	1.15	256T	1.0
		230/460	3500				



- NOTE: 1. SHAFT MATERIAL - 416 STAINLESS STEEL  
 2. WATER SLINGER TO BE FURNISHED WITH MOTOR  
 3. END PLAY NOT TO EXCEED .005  
 4. SHAFT DIAMETERS AND RABBET TO BE CONCENTRIC WITHIN .005 T.I.R.

FRAME SIZE	U	X	Y	AH	AJ	AK	BB	BD	BF SIZE & DEPTH	XN	XO	XR	WOODRUFF KEY
56													
145T	.5900	1 <sup>1</sup> / <sub>16</sub>	1 <sup>7</sup> / <sub>8</sub>	2 <sup>9</sup> / <sub>16</sub>	5 <sup>7</sup> / <sub>8</sub>	4.500	1/8	6 1/2	3/8 - 16 N.C. 5/8 DEEP	5/16	.7500	1/4 - 28 N.F. 1/2 DEEP	#3
182T	.5895					4.497					.7495		
184T													
213T	.8750	1 <sup>1</sup> / <sub>16</sub>	1 <sup>7</sup> / <sub>8</sub>	2 <sup>9</sup> / <sub>16</sub>	7 1/4	8.500	1/4	8 7/8	1/2 - 13 N.C. 5/8 DEEP	5/16	1.1250	3/8 - 24 N.F. 3/4 DEEP	#61
215T	.8745					8.497					1.1245		
254T													



MODEL 133				
PUMP SIZE	D03	E03	F03	G03

**NOTES**

1. ALL DIMENSIONS IN INCHES.
2. NOT FOR CONSTRUCTION PURPOSES UNLESS CERTIFIED.
3. CONDUIT BOX IS SHOWN IN APPROXIMATE LOCATION. CAPACITOR WHEN FURNISHED NORMALLY APPEARS ON TOP OF MOTOR. DIMENSIONS ARE NOT SPECIFIED AS THEY VARY WITH EACH MOTOR MANUFACTURER.
4. DIMENSIONS MAY VARY  $\pm 1/4"$ .
5. CHECK DISCHARGE POSITION, CASING DIMENSIONS WHICH EXCEED DIMENSION "D" MAY REQUIRE PADS FOR THE MOTOR.
6. MOTOR FRAME 56.