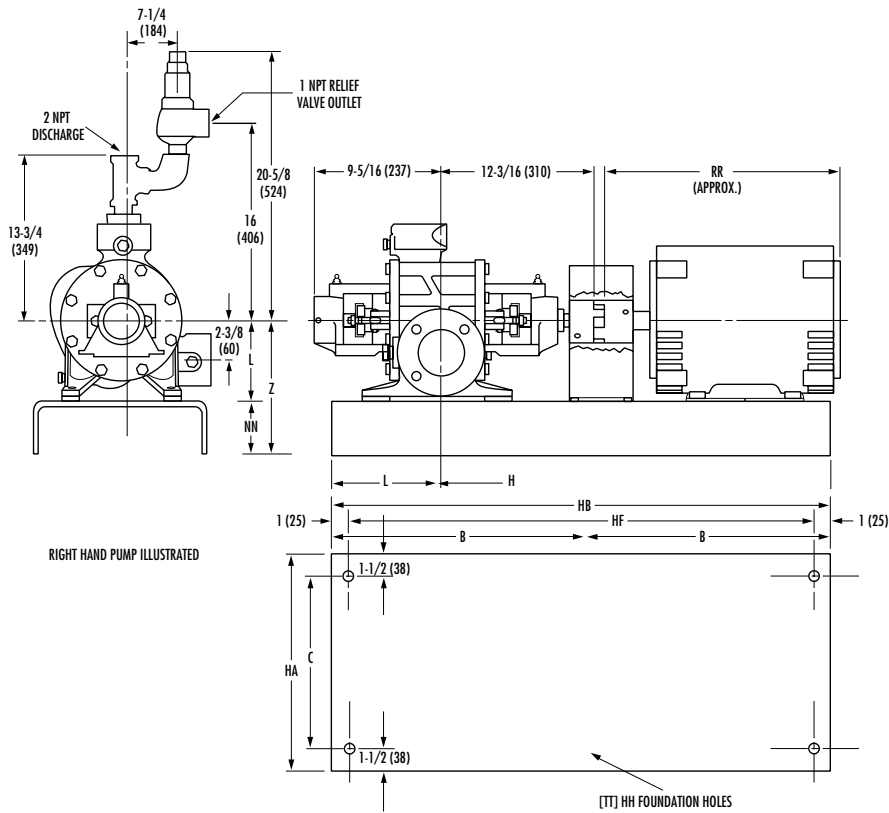


PUMP MODELS	EX4T	FX4T	GX4T	HX4T	IX4T
-------------	------	------	------	------	------



MOTOR FRAME	B	C	D	H	J	L	HA	HB	HD	HF	HG	HH	HO	TT
143T	13 (330)	7 (178)	4-1/8 (105)	9 (229)	11 (279)	4-1/16 (103)	10 (254)	26 (660)	6-3/4 (171)	-	2-5/8 (67)	5/8 (16)	12-1/8 (308)	2
145T	13 (330)	7 (178)	4-1/8 (105)	9 (229)	12 (305)	4-1/16 (103)	10 (254)	26 (660)	6-3/4 (171)	-	2-5/8 (67)	5/8 (16)	12-1/8 (308)	2
182T	13-1/2 (343)	9 (229)	4-1/2 (114)	9-7/16 (240)	13 (330)	4-1/16 (103)	12 (305)	27 (686)	7-1/2 (191)	-	3 (76)	5/8 (16)	12-7/8 (327)	2
184T	13-1/2 (343)	9 (229)	4-1/2 (114)	9-7/16 (240)	14 (356)	4-1/16 (103)	12 (305)	27 (686)	7-1/2 (191)	-	3 (76)	5/8 (16)	12-7/8 (327)	2
213T	15 (381)	9 (229)	5-1/4 (133)	10-15/16 (278)	16 (406)	4-1/16 (103)	12 (305)	30 (762)	8-1/4 (210)	-	3 (76)	5/8 (16)	13-5/8 (346)	2
215T	15 (381)	9 (229)	5-1/4 (133)	10-15/16 (278)	18 (457)	4-1/16 (103)	12 (305)	30 (762)	8-1/4 (210)	-	3 (76)	5/8 (16)	13-5/8 (346)	2
254T	-	10 (254)	6-1/4 (159)	-	21 (533)	4-1/16 (103)	13 (330)	38 (965)	10-1/4 (260)	36 (914)	4 (102)	3/4 (19)	15-5/8 (397)	4
256T	-	10 (254)	6-1/4 (159)	-	23 (584)	4-1/16 (103)	13 (330)	38 (965)	10-1/4 (260)	36 (914)	4 (102)	3/4 (19)	15-5/8 (397)	4

**NOTES:**

- All dimensions in inches (mm)
- Dimensions may vary  $\pm 1/8"$  (3).
- Not for construction purposes unless certified.
- Coupling gap may vary  $1/8"$  (3) to  $1"$  (25).
- Conduit box is located on the opposite side of the motor shown.  
Capacitor, when furnished, normally appears on top of motor.  
Dimensions are not specified as they vary with each motor manufacturer.