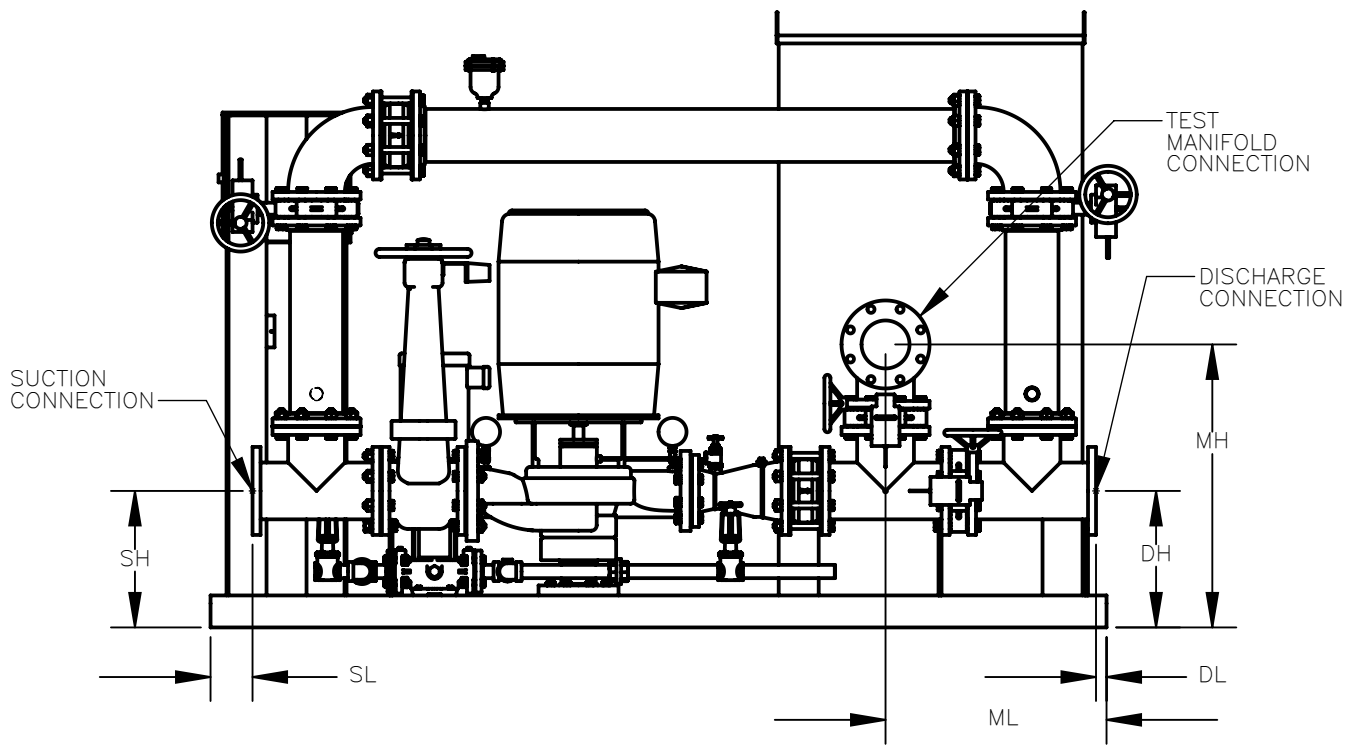
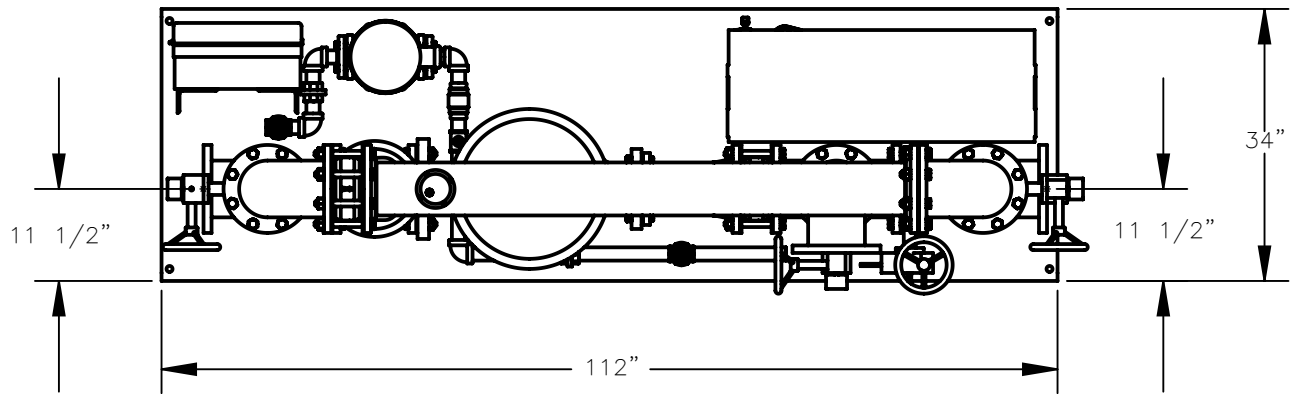


COMPACT FIRE PUMP SYSTEM STANDARD CONFIGURATION



GENERAL DIMENSIONS

PUMP MODEL(S)		2-383-9C	3-383-9A	3-383-7A/7B	3-383-9	4-383-7B	4-383-9/9B/9C	4-383-13	4-383-10B
ASSEMBLY DRAWING		636-0620-999	636-0621-999	636-0622-999	636-0623-999	636-0624-999	636-0625-999	636-0626-999	636-0627-999
SH (SUCTION HEIGHT)	INCHES	12 3/4	13 3/4	13 3/4	13 7/8	14 1/4	14 1/2	17 13/16	17 1/16
	MM	324	349	349	352	362	368	452	433
SL (SUCTION LENGTH)	INCHES	11 1/8	5 5/8	7 1/8	12 3/4	- 7/8	- 7/8	3 1/4	5 1/4
	MM	283	143	181	324	-22	-22	83	133
DH (DISCHARGE HEIGHT)	INCHES	13 1/4	14 1/4	14 1/4	13 7/8	15 1/4	15	17 13/16	17 1/16
	MM	337	362	362	352	387	381	452	433
DL (DISCHARGE LENGTH)	INCHES	19 9/16	13 13/16	15 5/16	13 13/16	4 5/16	4 5/16	- 11/16	1 5/16
	MM	497	351	389	351	110	110	-17	33
MH (MANFOLD HEIGHT)	INCHES	28 7/16	31 15/16	31 15/16	31 9/16	33 9/16	33 5/16	36 1/8	35 3/8
	MM	722	811	811	802	852	846	918	899
ML (MANFOLD LENGTH)	INCHES	38	35 1/2	37	35 1/2	30 5/8	30 5/8	25 5/8	27 5/8
	MM	965	902	940	902	778	778	651	702

NOTES:

DIMENSIONS MAY VARY +/- 3/8".

A NEGATIVE DIMENSION INDICATES DIRECTION FROM THE BASE OPPOSITE OF THAT SHOWN.