

900 Series Single Stage Inline Fire Pumps



MODEL 383



Built Per
N.F.P.A. 20

ap AURORA®

PENTAIR PUMP GROUP

Aurora 383 Series Pumps

VERTICAL Inline Close Coupled Fire Pumps are specifically designed for vertical mounting. The suction and discharge nozzles are located on the same centerline 180° apart. Vertical pumps significantly reduce required mounting space. They are easy to maintain. Simply remove eight capscrews and the motor and bracket assembly is easily removed from the casing without disturbing the piping. The impeller is direct coupled to the motor shaft for easy maintenance, to minimize impeller run out and to reduce noise.

The inline casing is heavily ribbed to resist pipe strain and is provided with a support to simplify mounting to a base or foundation. Packing is provided when suction pressure is greater than 30 PSIG; packing with lantern ring and flush line is furnished for suction pressures of 30 PSIG or less. Look through this bulletin for additional details & specifications.

Back pull-out inline case design simplifies disassembly. The suction and discharge piping or alignment is not disturbed as the casing remains in the pipeline. Simply remove the motor and bracket assembly for service or inspection.

Computer machined major components with 360° registered fits assure parts concentricity.

Note: Front case wearing rings are standard on all size pumps. Rear case rings are standard on all sizes except the 2x2x9C. The 2x2x9C does not require a wear ring.

STANDARD

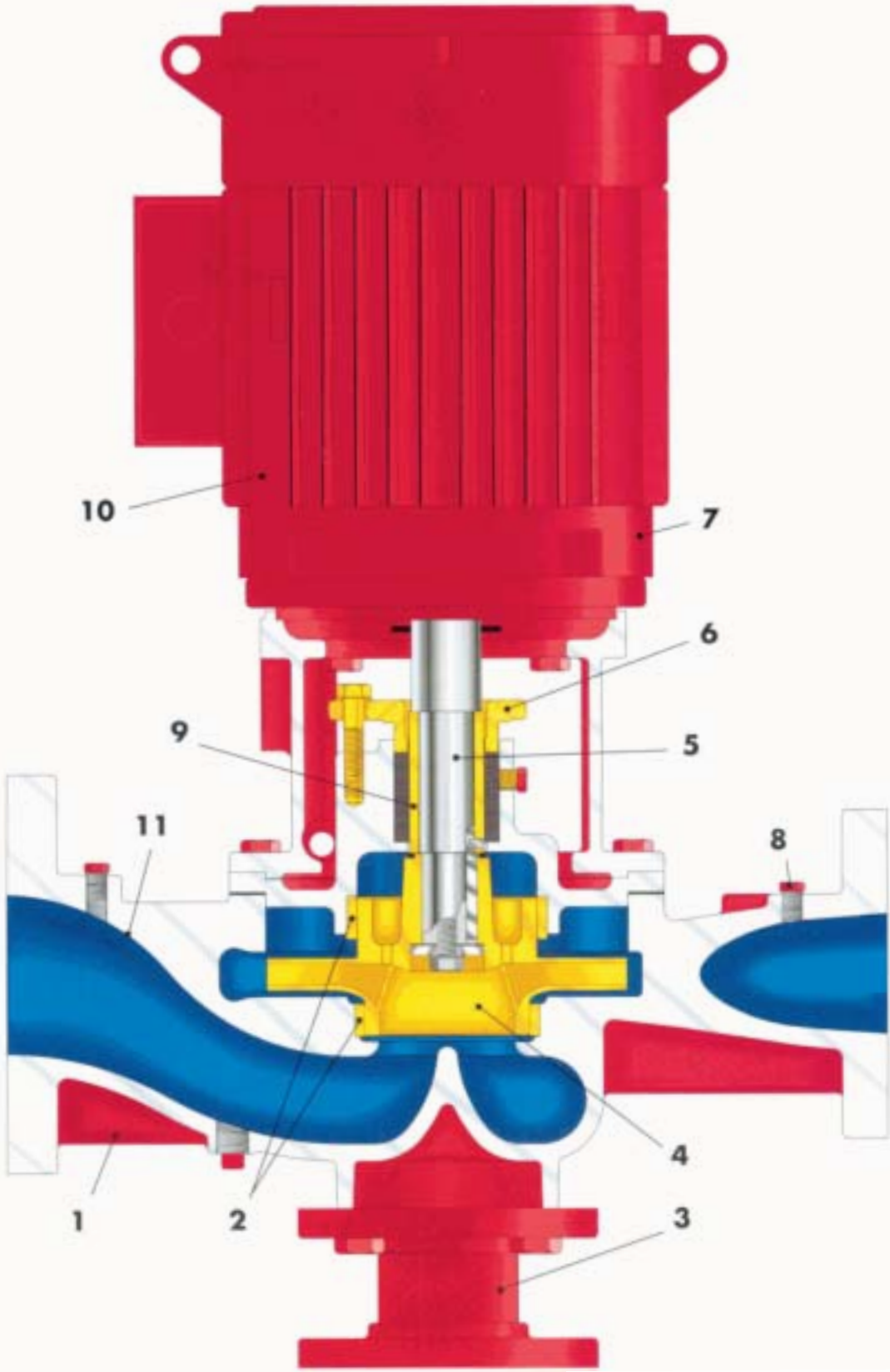
Bronze fitted pump construction
Bronze shaft sleeve
Split bronze packing gland
Carbon steel shaft
125# ANSI flange drilling
Dynamically balanced vacuum cast impeller
Stainless Steel impeller screw & washer
Bronze case wearing ring(s)
Graphite impregnated acrylic packing
Motor:
NEMA-HI JP
Factory performance tested in accordance with NFPA-20

ACCESSORIES

Suction and discharge pressure gauges
Air release valve
Circulation relief valve
Hose valve header
Hose valves
Flow meter
Jockey pump
Optional flange drillings
125 lb suction - 250 lb discharge
250 lb suction and discharge

- 1 BACK PULL-OUT CASING with inline suction and discharge. design provides high efficiency and low wear for long service life.
- 2 CASE WEARING RING prevents wear on casing and is easily and inexpensively replaced.
- 3 SUPPORT simplifies mounting. The pump can be fastened to the floor, a base or foundation.
- 4 DYNAMICALLY BALANCED IMPELLER is keyed to the shaft and secured by a capscrew and washer. Vacuum casting and quality controlled manufacturing process assures consistent high performance. Enclosed
- 5 CARBON STEEL SHAFT is designed for minimum deflection at maximum load.
- 6 TWO PIECE BRONZE PACKING GLAND provides easy packing maintenance.
- 7 FACTORY PERFORMANCE TEST guarantees performance at specified pump operating conditions.
- 8 FLUSH LINE with valve (when used) from discharge provides easy water seal adjustment to lantern ring.
- 9 BRONZE SHAFT SLEEVE extends full length of stuffing box to protect motor shaft. The shaft sleeve is slip fit over the shaft and then is keylocked. Shaft sleeve and impeller screw are sealed by "O"-ring gaskets to eliminate corrosion of the shaft by the pumped liquid.
- 10 STANDARD MOTOR approved for 383 Series pump service by NEMA and the HYDRAULIC INSTITUTE provides low noise level pump operation.
- 11 VOLUTE TYPE SUCTION inlet pre-rotates suction liquid.

Vertical Fire Pump Features



Engineering Specifications and Dimensions

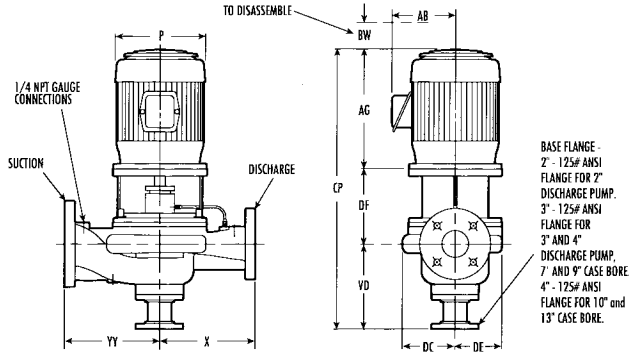
PUMP

One Aurora model 383 vertical inline centrifugal fire pump listed by Underwriter's Laboratory and approved by Factory Mutual having a capacity of _____ GPM for a pressure boost of _____ PSIG. Pressure at the pump suction will be _____ PSIG., giving a discharge pressure of _____ PSIG. The pump shall have a bronze impeller, bronze case wear ring, packing gland and shaft sleeve.

The pump discharge flange shall be _____ PSI bolt pattern and the suction flange _____ PSI bolt pattern. The pump shall be fitted with a teflon lantern ring when the suction pressure is 30 PSIG or less. Pump to be directly connected to a _____ HP _____ RPM vertical, solid shaft, open dripproof motor suitable for an electrical supply of _____ volts, _____ phase and _____ hertz with a 1.15 service factor.

TESTING

The pump shall be subjected to an operation test at rated speed. A performance curve showing the flow, total head, brake horsepower and efficiency is to be plotted. Certified curves shall be supplied to the customer. The pump shall be hydrostatically tested at two times the shut-off pressure or 250 PSIG, whichever is greater.



NOTES:

1. All dimensions in inches.
2. Dimensions may vary $\pm 1/4$.
3. Not for construction purposes unless certified.
4. Suction and discharge flanges are 125# ANSI as standard. 250# suction and discharge or 125# suction/250# discharge available as options for 9 inch and 10 inch case bore pumps only.

PUMP SIZE DISCH SUCTION CASE BORE	GPM PUMP RATING	X	YY	BW (MIN)	VD	DF		DC	DE	PUMP WT.(LBS)		
						184JP	213JP THRU 365JP			184JP	213JP THRU 256JP	284JP THRU 365JP
3 x 3 x 7A	100, 150, 200	9-1/2	9-1/2	4-1/2	10-1/4	8	8-13/16	5-3/16	6-1/8	140	153	159
3 x 3 x 7B	250	9-1/2	9-1/2	4-1/2	10-1/4	—	8-13/16	5-3/16	6-1/8	140	153	159
4 x 4 x 7B	300, 400, 450, 500	11	11	4-1/2	11-1/4	—	9-5/16	5-9/16	7-5/16	—	191	197
2 x 2 x 9C	50, 100	9-1/2	9-1/2	4-1/2	9-1/4	7-13/16	8-5/8	5-3/4	6-1/4	117	130	—
3 x 3 x 9A	150, 200	11	11	4-1/2	10-1/4	7-15/16	8-3/4	6	6-3/4	152	165	170
3 x 4 x 9	250	11	11	4-1/2	9-7/8	8-1/4	8-7/8	5-3/4	6-1/2	178	191	196
4 x 5 x 9	300 - 400, 450	11	11	4-1/2	11	8-3/8	9	6	7-1/8	—	227	232
4 x 5 x 9B	300, 400, 450, 500	11	11	4-1/2	11	8-3/8	9	6	7-1/8	—	227	232
4 x 5 x 9C	500	11	11	4-1/2	11	—	9	6	7-1/8	—	—	232
4 x 6 x 10	400, 450, 500	14	14	5	13-1/16	—	9-1/16	7	8-1/2	—	—	351
4 x 6 x 10B	750	14	14	5	13-1/16	—	9-1/16	7	8-1/2	—	—	351
4 x 6 x 13	750	16	16	5-3/8	13-13/16	—	9-3/16	9	10-1/2	—	—	421

O.D.P. FRAME	AG APPROX	P	AB APPROX	MOTOR WT. (LBS)	CP							
					2x2x9C	3x3x9A	3x4x9	4x5x9 4x5x9B & C	3x3x7A 3x3x7B	4x4x7B	4x6x10 4x6x10B	4x6x13
184JP	15	10-3/8	7	95	32-1/8	33-1/4	33-1/8	34-3/8	28-5/8	—	—	—
213JP	17	12-1/4	7-5/8	135	35	36	35-3/4	37	36	—	—	—
215JP	17	12-1/4	7-5/8	155	35	36	35-3/4	37	36	—	—	—
254JP	21	13	8-7/8	195	39	40	39-3/4	41	40	41-5/8	—	—
256JP	21	13	9-1/4	256	39	40	39-3/4	41	—	41-5/8	—	—
284JP	22	15-3/4	11-3/8	271	—	41	40-3/4	42	—	42-5/8	—	—
286JP	22	15-3/4	11-3/8	320	—	41	40-3/4	42	—	42-5/8	44-1/8	—
324JP	24	17-3/4	13-1/4	420	—	43	—	44	—	—	46-1/8	46-1/4
326JP	24	17-3/4	13-1/4	460	—	—	—	44	—	—	46-1/8	46-1/4
364JP	26	20	16	600	—	—	—	—	—	—	48-1/8	48-1/4
365JP	26	20	16	750	—	—	—	—	—	—	48-1/8	48-1/4

NOTE: Aurora Pump reserves the right to make revisions to its products and their specifications, and to this bulletin and related information, without notice.

— Your Authorized Local Distributor —



ap AURORA®
Pentair Pump Group

MARKETING & SALES:
800 AIRPORT ROAD • NORTH AURORA, ILLINOIS U.S.A. • 60542
PHONE: (630) 859-7000 U.S.A./CANADA FAX: (630) 859-7060
WORLDWIDE FAX: (630) 859-1226

WEB: www.aurorapump.com
EMAIL: aurora_info@pentairpump.com

AURORA MFG. PLANT:
800 AIRPORT ROAD • NORTH AURORA, ILLINOIS U.S.A. • 60542

SALES OFFICES IN ALL MAJOR CITIES AND COUNTRIES
Refer to "Pumps" in yellow pages of your phone directory
for your local Distributor.