

AURORA MODEL 383 PUMPS

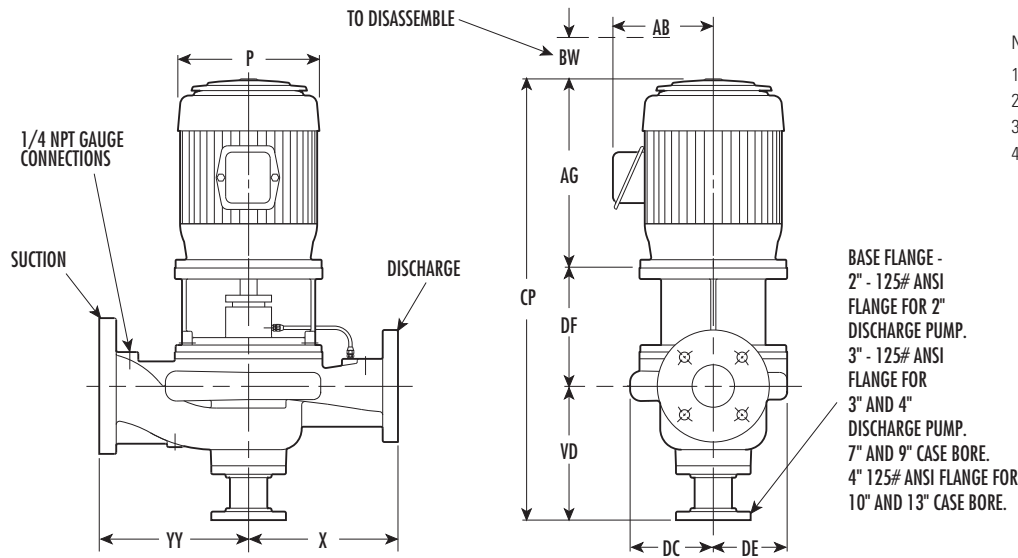
INLINE FIRE PUMP

Section **911** Page **201**

Date **November, 2000**

Supersedes Section 911 Page 201

Dated April, 2000



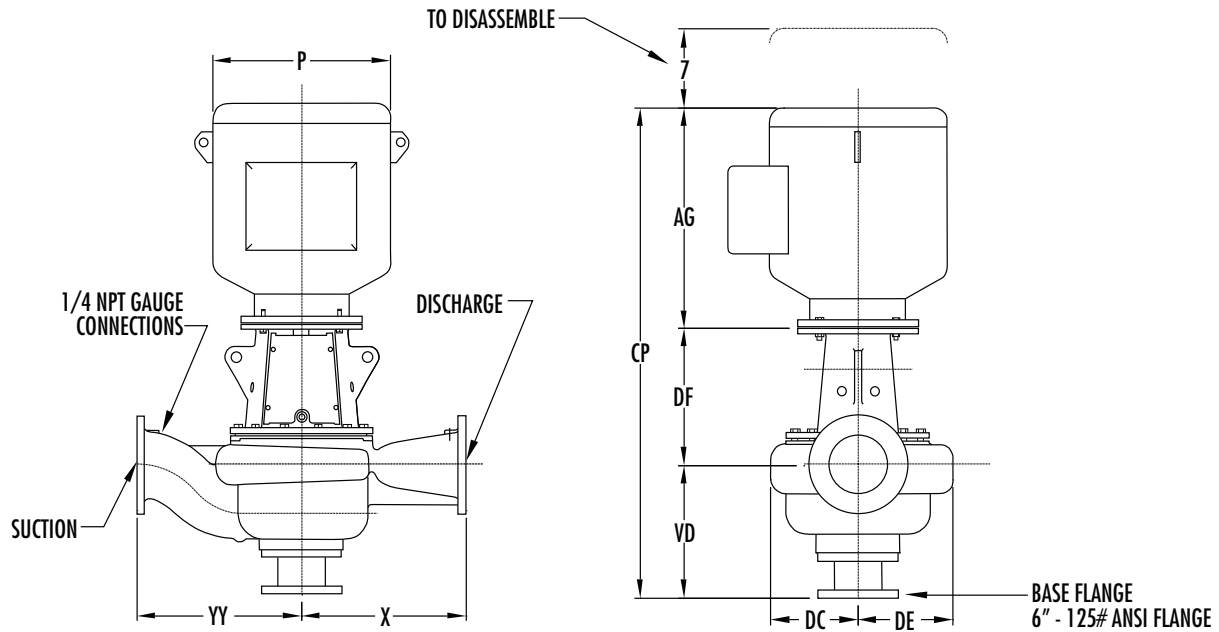
NOTES:

1. All dimensions in inches.
2. Dimensions may vary $\pm 1/4$.
3. Not for construction purposes unless certified.
4. Suction and discharge flanges are 125# ANSI as standard. 250# suction and discharge or 125# suction/250# discharge available as option for 9 inch and 10 inch case bore pumps only.

PUMP SIZE DISCH SUCT CASE BORE	GPM PUMP RATING	X	YY	BW (MIN)	VD	DF		DC	DE	PUMP WT.(LBS)		
						184JP	213JP THRU 365JP			184JP	213JP THRU 256JP	284JP THRU 365JP
3 x 3 x 7A	100, 150, 200	9-1/2	9-1/2	4-1/2	10-1/4	8	8-13/16	5-3/16	6-1/8	140	153	159
3 x 3 x 7B	250	9-1/2	9-1/2	4-1/2	10-1/4	—	8-13/16	5-3/16	6-1/8	—	153	159
4 x 4 x 7B	300, 400, 450, 500	11	11	4-1/2	11-1/4	—	9-5/16	5-9/16	7-5/16	—	191	197
2 x 2 x 9C	50, 100	9-1/2	9-1/2	4-1/2	9-1/4	7-13/16	8-5/8	5-3/4	6-1/4	117	130	—
3 x 3 x 9A	150, 200	11	11	4-1/2	10-1/4	7-15/16	8-3/4	6	6-3/4	152	165	170
3 x 4 x 9	250	11	11	4-1/2	9-7/8	8-1/4	8-7/8	5-3/4	6-1/2	178	191	196
4 x 5 x 9	300, 400, 450	11	11	4-1/2	11	8-3/8	9	6	7-1/8	—	227	232
4 x 5 x 9B	300, 400, 450, 500	11	11	4-1/2	11	8-3/8	9	6	7-1/8	—	227	232
4 x 5 x 9C	500	11	11	4-1/2	11	—	9	6	7-1/8	—	—	232
4 x 6 x 10	400, 450, 500	14	14	5	13-1/16	—	9-1/16	7	8-1/2	—	—	351
4 x 6 x 10B	750	14	14	5	13-1/16	—	9-1/16	7	8-1/2	—	—	351
4 x 6 x 13	750	16	16	5-3/8	13-13/16	—	9-3/16	9	10-1/2	—	—	421

O.D.P. FRAME	AG APPROX	P	AB APPROX	MOTOR WT. (LBS)	CP							
					2x2x9C	3x3x9A	3x4x9	4x5x9 4x5x9B&C	3x3x7A 3x3x7B*	4x4x7B	4x6x10 4x6x10B	4x6x13
184JP	15	10-3/8	7	95	32-1/8	33-1/4	33-1/8	34-3/8	28-5/8	—	—	—
213JP	17	12-1/4	7-5/8	135	35	36	35-3/4	37	36	—	—	—
215JP	17	12-1/4	7-5/8	155	35	36	35-3/4	37	36	37-3/4	—	—
254JP	21	13	8-7/8	195	39	40	39-3/4	41	40	41-5/8	—	—
256JP	21	13	9-1/4	256	39	40	39-3/4	41	—	41-5/8	—	—
284JP	22	15-3/4	11-3/8	271	—	41	40-3/4	42	—	42-5/8	—	—
286JP	22	15-3/4	11-3/8	320	—	41	40-3/4	42	—	42-5/8	44-1/8	—
324JP	24	17-3/4	13-1/4	420	—	43	—	44	—	—	46-1/8	46-1/4
326JP	24	17-3/4	13-1/4	460	—	—	—	44	—	—	46-1/8	46-1/4
364JP	26	20	16	600	—	—	—	—	—	—	48-1/8	48-1/4
365JP	26	20	16	750	—	—	—	—	—	—	48-1/8	48-1/4

* - Not available with 184JP Frame.



PUMP SIZE	SUCTION	X	YY	VD	DC	DE	DF
8-383-15	8	22.5	22.5	18.13	10.37	12.94	18.81

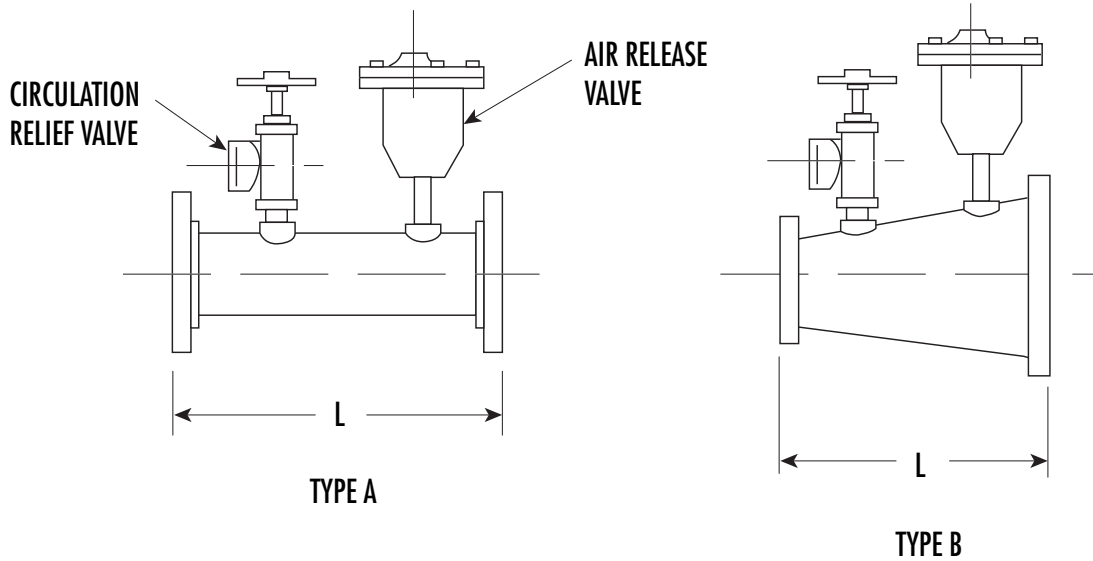
MOTOR FRAME SIZE	P	AG	CP	UNIT WT
364HP	20	32	68.94	1392
365HP	20	32	68.94	1437
404HP	22	35	71.94	1602
405HP	22	35	71.94	1792
444HP	26	40	76.94	1892

NOTES:

1. All dimensions in inches and may vary by 3/8".
2. Not for construction purposes unless certified.
3. Suction & discharge flanges are ANSI standard class 125 flat face.

DISCHARGE FITTINGS

DISCHARGE FITTINGS FOR INSTALLATION OF VALVES



PUMP SIZE	FLOW RATING	FITTING TYPE	FITTING SIZE	DISCHARGE FITTING ONLY					
				150# FLANGES			300# FLANGES		
				OPT. NO.	L	WT. (LB)	OPT. NO.	L	WT. (LB)
3 x 3 x 7A	100	A	3 x 3	74BA	14	25	N/A	N/A	N/A
	150								
3 x 3 x 7B	200	A	3 x 3	74BA	14	25	74BK	14	35
	250								
4 x 4 x 7B	300	A	4 x 4	74BB	16	39	N/A	N/A	N/A
	400	B	4 x 5	74BC	11.75	42	N/A	N/A	N/A
	450								
500									
2 x 2 x 9C	50	A	2 x 2	74BD	14	14	74BJ	14	14
3 x 3 x 9A	150	A	3 x 3	74BA	14	25	74BK	14	35
	200								
3 x 4 x 9	250								
4 x 5 x 9	300	A	4 x 4	74BB	16	39	74BL	16	57
4 x 5 x 9B	400								
4 x 6 x 10	400								
4 x 6 x 10	450	A	4 x 4	74BB	16	39	74BL	16	57
4 x 5 x 9B	500	B	4 x 5	74BC	11.75	45	74BM	12.5	65
4 x 5 x 9C									
4 x 6 x 10									
4 x 6 x 10	750	B	4 x 6	74BH	12.25	52	74BN	13	82
4 x 6 x 13	750	B	4 x 6	74BH	12.25	52	74BN	18.25	82

NOTES:

1. All dimensions in inches and may vary by 3/8".
 2. Flanges are A.N.S.I. Class 150 or Class 300 steel.
- N/A - Not Applicable

THIS PAGE LEFT INTENTIONALLY BLANK