

AURORA 390 SERIES PUMPS

MULTI-STAGE VERTICAL IN-LINE CENTRIFUGAL PUMP

MODELS 395A, 396A & 397	60HZ 3450 RPM
	50HZ 2880 RPM

395A

MODEL	# OF STAGES	HP 60HZ	HP 50HZ	FRAME	P	AB	AG	DH	WEIGHT (PUMP ONLY)
395A-2	2	10	7.5	215TC	8.86 (225)	6.61 (168)	14.53 (369)	20.71 (526)	103 (46.7)
395A-3	3	15	7.5	215TC	12.28 (312)	9.06 (230)	17.20 (437)	26.77 (680)	117 (53.1)
395A-4	4	20	15	254TC	12.28 (312)	9.06 (230)	17.20 (437)	28.66 (728)	123 (55.8)
395A-5	5	20	15	254TC	12.28 (312)	9.06 (230)	17.20 (437)	30.59 (777)	130 (59)
395A-6	6	25	20	284TSC	12.28 (312)	9.06 (230)	18.78 (477)	32.48 (825)	139 (63)
395A-7	7	30	20	286TSC	12.28 (312)	9.06 (230)	20.35 (517)	34.41 (874)	143 (65)

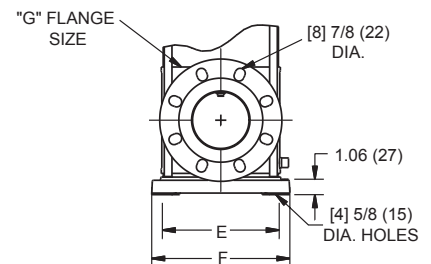
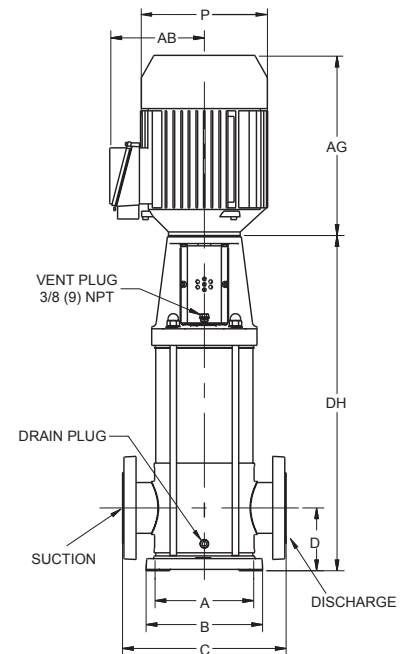
396A

MODEL	# OF STAGES	HP 60HZ	HP 50HZ	FRAME	P	AB	AG	DH	WEIGHT (PUMP ONLY)
396A-2	1	7.5	5	184TC	8.82 (224)	6.61 (168)	12.72 (323)	18.03 (458)	112 (50.8)
396A-3	2	15	7.5	215TC	8.86 (225)	6.61 (168)	13.46 (342)	20.71 (526)	116 (52.6)
396A-4	2	15	10	215TC	8.86 (225)	6.61 (168)	14.53 (369)	20.71 (526)	119 (54.0)
396A-5	3	20	15	254TC	12.28 (312)	9.06 (230)	17.20 (437)	26.77 (680)	123 (55.8)
396A-6	3	25	20	284TSC	12.28 (312)	9.06 (230)	17.20 (437)	26.77 (680)	128 (58.1)
396A-7	4	30	20	286TSC	12.28 (312)	9.06 (230)	17.20 (437)	28.66 (728)	132 (59.9)

397

MODEL	# OF STAGES	HP 60HZ	HP 50HZ	FRAME	P	AB	AG	DH	WEIGHT (PUMP ONLY)
397-1	1	7.5	5	184TC	9.88 (251)	7.84 (199)	16.5 (419)	22.4 (570)	111 (50.4)
397-2	2	15	10	215TC	11.5 (292)	9.31 (236)	19.5 (495)	26.7 (679)	119 (53.8)
397-3	3	20	15	254TC	12.75 (324)	10.38 (264)	21.13 (537)	30.2 (768)	126 (57.2)
397-4	4	25	20	284TSC	15.5 (394)	13.69 (348)	23.37 (594)	34.9 (886)	134 (60.6)
397-5	5	30	20	286TSC	15.5 (394)	13.69 (348)	23.37 (594)	38.4 (975)	141 (64.0)

	MODEL		
	395A	396A	397
A	7.60 (193)	7.60 (193)	8.66 (220)
B	10.24 (260)	10.24 (260)	10.24 (260)
C	12.60 (320)	12.60 (320)	14.37 (365)
D	4.13 (105)	4.13 (105)	5.51 (140)
E	7.60 (193)	7.60 (193)	8.66 (220)
F	10.24 (260)	10.24 (260)	10.24 (260)
G	2.50 (64)	3.00 (76)	4.00 (102)



1. MODELS 395A AND 396A USE ANSI 250 LB. SLIP RING FLANGES
2. MODEL 397 USES ANSI 125 LB. SLIP RING FLANGES

NOTES:

1. All dimensions are in inches (mm) and may vary $\pm 1/4$ (6).
2. Not for construction purposes unless certified.
3. Motor dimensions are representative and will vary by enclosure and manufacturer.