

AURORA SERIES 340/360
MODELS 341A-342A-361A-362A
60 HERTZ MOTOR DATA SHEET
1 PHASE: NOT AVAILABLE
3 PHASE: 200 (ONLY) OR 230/460
OR 575 VOLTS

JM & JP MOTOR FRAMES

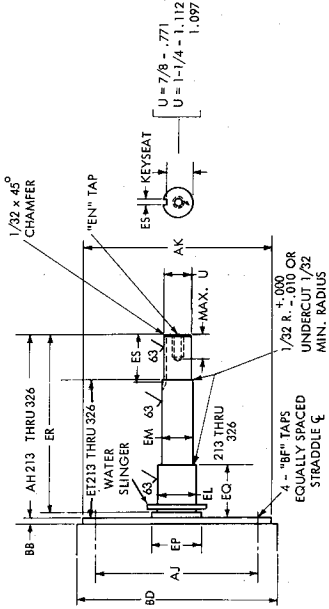
| HP | RPM | C FLANGE MOTORS HORIZONTAL FOOT MOUNTED 143-184JM ONLY-SUPPORT FOOT MOUNTED ON PUMP O.D.P. - TOTALLY ENC. - EXP. PROOF | | | | MAGNETIC STARTER SIZE REQ'D NEMA 1 ENCLOSURE | | | APPROXIMATE FULL LOAD AMPS. | | | |
|-------|------|---|-----------------------------|-------------------------------|---|--|------|------|-----------------------------------|------|------|------|
| | | OPEN DRIPPROOF FRAME | SERVICE FACTOR O.D.P. | TEFC & EXP. PROOF FRAME | SERVICE FACTOR TEFC & EXP. PROOF | 200V & 230V | 460V | 575V | 200V | 230V | 460V | 575V |
| 1 | 1750 | 143 | 1.15 | 143 | 1.0 | 00 | 00 | 00 | 4.0 | 3.5 | 1.8 | 1.4 |
| | 1150 | 145 | | 145 | | 00 | 00 | 00 | | | | |
| 1-1/2 | 3500 | 143 | 1.15 | 143 | 1.0 | 00 | 00 | 00 | 5.4 | 4.7 | 2.4 | 1.9 |
| | 1750 | 145 | | 145 | | | | | | | | |
| | 1150 | 182 | | 182 | | | | | | | | |
| 2 | 3500 | 145 | 1.15 | 145 | 1.0 | 0 | 00 | 00 | 6.9 | 6 | 3 | 2.4 |
| | 1750 | 145 | | 145 | | | | | | | | |
| | 1150 | 184 | | 184 | | | | | | | | |
| 3 | 3500 | 145 | 1.15 | 182 | 1.0 | 0 | 0 | 0 | 9.9 | 8.6 | 4.3 | 3.4 |
| | 1750 | 182 | | 182 | | | | | | | | |
| | 1150 | 213 | | 213 | | | | | | | | |
| 5 | 3500 | 182 | 1.15 | 184 | 1.0 | 1 | 0 | 0 | 15.9 | 13.8 | 6.9 | 5.5 |
| | 1750 | 184 | | 184 | | | | | | | | |
| | 1150 | 215 | | 215 | | | | | | | | |
| 7-1/2 | 3500 | 184 | 1.15 | 213 | 1.0 | 1 | 1 | 1 | 24.3 | 21.1 | 10.5 | 8.4 |
| | 1750 | 213 | | 213 | | | | | | | | |
| | 1150 | 254 | | 254 | | | | | | | | |
| 10 | 3500 | 213 | 1.15 | 215 | 1.0 | 2 | 1 | 1 | 31 | 27 | 13.5 | 10.8 |
| | 1750 | 215 | | 215 | | | | | | | | |
| | 1150 | 256 | | 256 | | | | | | | | |
| 15 | 3500 | 215 | 1.15 | 254 | 1.0 | 3 | 2 | 2 | 45 | 39.2 | 19.6 | 15.7 |
| | 1750 | 254 | | 254 | | | | | | | | |
| | 1150 | 284 | | 284 | | | | | | | | |
| 20 | 3500 | 254 | 1.15 | 256 | 1.0 | 3 | 2 | 2 | 58.7 | 51 | 25.5 | 20 |
| | 1750 | 256 | | 256 | | | | | | | | |
| | 1150 | 286 | | 286 | | | | | | | | |
| 25 | 3500 | 256 | 1.15 | 284 | 1.0 | 3 | 2 | 2 | 72.7 | 63.2 | 31.6 | 25 |
| | 1750 | 284 | | 284 | | | | | | | | |
| | 1150 | 324 | | 324 | | | | | | | | |
| 30 | 3500 | 284 | 1.15 | 286 | 1.0 | 4 | 3 | 3 | 97.8 | 76.7 | 38.3 | 31 |
| | 1750 | 286 | | 286 | | | | | | | | |
| | 1150 | 326 | | 326 | | | | | | | | |
| 40 | 3500 | 286 | 1.15 | 324 | 1.0 | 4 | 3 | 3 | 115 | 100 | 50 | 40 |
| | 1750 | 324 | | 324 | | | | | | | | |
| 50 | 3500 | 324 | 1.15 | 326 | 1.0 | 5 | 3 | 3 | 141 | 123 | 61.5 | 49 |
| | 1750 | 326 | | 326 | | | | | | | | |
| 60 | 3500 | 326 | 1.15 | N/A | 1.0 | 5 | 4 | 4 | 163 | 142 | 71 | 57 |

NOTES:

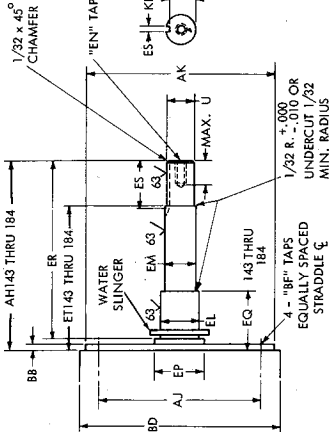
1. APPROXIMATE FULL LOAD AMPS BASED ON AVERAGES FOR AURORA STANDARD O.D.P. MOTORS.
2. MAGNETIC STARTER SIZE BASED ON AURORA STANDARD O.D.P. MOTORS.
3. MODELS 341A & 342A USE JM MOTOR FRAMES.
 MODELS 361A & 362A USE JP MOTOR FRAMES.

SHAFT EXTENSION

**JM/JP MOTOR FRAMES
 MODELS 341A-342A-361A-362A**



213 - 326 MOTOR FRAME DIMENSIONS



143 - 184 MOTOR FRAME DIMENSIONS

| MOTOR FRAME SIZES | ES | | EN | | | | | | BF | | | |
|-------------------|-----------------|-------|--------------------------------|--------------------------|--------------------------|--------------------------|--------------------------|--------------------------|--------|------------------|---------------------|-------|
| | LENGTH | WIDTH | 340 TAP SIZE CLASS 3 R.H. THRD | 340 TAP DRILL DEPTH MAX. | 340 TAP DRILL DEPTH MAX. | 340 TAP DRILL DEPTH MAX. | 340 TAP DRILL DEPTH MAX. | 340 TAP DRILL DEPTH MAX. | | TAP SIZE CLASS 2 | ROCKET PENE-TRATION | |
| 143 & 145 | 1.65 MIN. +.002 | 3/16 | 3/8-16 | 1-1/8 | 1-1/8 | 1-1/8 | 1-1/8 | 1-1/8 | 3/8-16 | 3/4 | 3/8-16 | 9/16 |
| 182 & 184 | 1.65 MIN. +.002 | 3/16 | 3/8-16 | 1-1/8 | 1-1/8 | 1-1/8 | 1-1/8 | 1-1/8 | 3/8-16 | 3/4 | 3/8-16 | 9/16 |
| 213 & 215 | 1.65 MIN. +.002 | * | 3/8-16 | 1-1/8 | 1-1/8 | 1-1/8 | 1-1/8 | 1-1/2 | 1 | 1 | 1/2-13 | 3/4 |
| 254 & 256 | 2.53 MIN. +.002 | 1/4 | 1/2-13 | 1-1/2 | 1-1/2 | 1-1/2 | 1-1/2 | 1-1/2 | 1 | 1 | 1/2-13 | 3/4 |
| 284 Thru 326 | 2.50 MIN. +.002 | 1/4 | 1/2-13 | 1-1/2 | 1-1/2 | 1-1/2 | 1-1/2 | 1-1/2 | 1 | 1 | 5/8-11 | 15/16 |

| MOTOR FRAME SIZES | 340 U | 360 U | 340 AH | 360 AH | 340 AJ | 360 AJ | 340 AK | 360 AK | 340 BB | 360 BB | 340 BD | 360 BD | 340 EL | 360 EL |
|-------------------|-------|--------|--------|--------|--------|--------|--------|--------|--------|--------|--------|--------|--------|--------|
| 143 & 145 | 7/8 | .8745 | 4-1/4 | 7-5/16 | 5-7/8 | 4-1/2 | 5/32 | 5/32 | 5/32 | 5/32 | 6-5/8 | MAX. | 1-5/32 | 1-5/32 |
| 182 & 184 | 7/8 | .8745 | 4-1/4 | 7-5/16 | 5-7/8 | 4-1/2 | 5/32 | 5/32 | 5/32 | 5/32 | 6-5/8 | MAX. | 1-1/4 | 1-1/4 |
| 213 & 215 | 7/8 | .8745 | 4-1/4 | 7-5/16 | 5-7/8 | 4-1/2 | 5/32 | 5/32 | 5/32 | 5/32 | 9 | MAX. | 1-1/4 | 1-3/4 |
| 254 & 256 | 1-1/4 | 1.2485 | 5-1/4 | 8-1/8 | 7-1/4 | 8-1/2 | 5/16 | 5/16 | 5/16 | 5/16 | 10 | MAX. | 1-3/4 | 1-3/4 |
| 284 Thru 326 | 1-1/4 | 1.2490 | 5-1/4 | 8-1/8 | 7-1/4 | 8-1/2 | 5/16 | 5/16 | 5/16 | 5/16 | 14 | MAX. | 1-3/4 | 1-3/4 |

| MOTOR FRAME SIZES | 340 EM | 360 EM | 340 EP | 360 EP | 340 EQ | 360 EQ | 340 ER | 360 ER | 340 ET | 360 ET |
|-------------------|--------|--------|--------|--------|--------|--------|--------|--------|--------|---------|
| 143 & 145 | 1 | 1 | 1-5/32 | 5/8 | 1-9/16 | 4-1/4 | 4-1/4 | 7-5/16 | 2-7/8 | 5-15/16 |
| 182 & 184 | 1 | 1 | 1-1/4 | 5/8 | 1-9/16 | 4-1/4 | 4-1/4 | 7-5/16 | 2-7/8 | 5-15/16 |
| 213 & 215 | 1 | 1 | 1-3/4 | 5/8 | 2-3/8 | 4-1/4 | 4-1/4 | 8-1/8 | 2-7/8 | 5-7/8 |
| 254 & 256 | 1 | 1 | 1-3/4 | 5/8 | 2-3/8 | 4-1/4 | 4-1/4 | 8-1/8 | 2-7/8 | 5-7/8 |
| 284 Thru 326 | 1 | 1 | 2-1/8 | 5/8 | 2-3/8 | 5-1/4 | 5-1/4 | 8-1/8 | 3 | 5-7/8 |

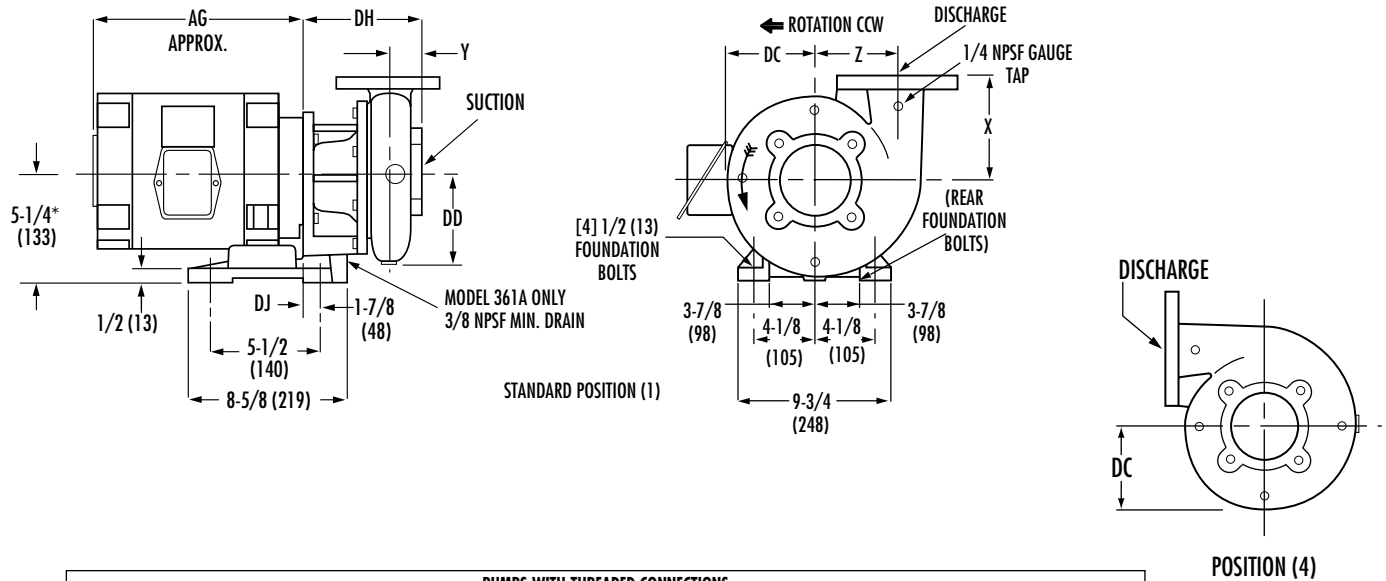
- NOTES:
1. SHAFT MATERIAL - AISI 1018 STEEL
 2. WATER SLINGER TO BE FURNISHED WITH MOTOR
 3. END PLAY NOT TO EXCEED .005
 4. SHAFT DIAMETERS AND RABBIT TO BE CONCENTRIC WITHIN .004 TIR
 5. JM MOTORS ARE USED ON 340 SERIES PUMPS. JP MOTORS ARE USED ON 360 SERIES PUMPS.

*KEYWAY WIDTH FOR 213-215 MOTOR FRAME SIZES:
 JM MOTORS = 3/16" WIDE
 JP MOTORS = 1/4" WIDE

AURORA MODEL 341A & 361A PUMPS

JM & JP MOTOR FRAMES

143 THROUGH 184



| PUMPS WITH THREADED CONNECTIONS | | | | | | | | | | | |
|---|---------|-----------|----------------|----------------|------------------|------------------|------------------|------------------|------------------|-------------|---------------|
| DISCHARGE | SUCTION | CASE BORE | X | Y | Z | DC | DD | DH | | DJ | |
| | | | | | | | | 341A | 361A | 341A | 361A |
| 1-1/4 | 1-1/2 | 7 | 5-1/4 (133) | 2-7/16 (62) | 4-3/16 (106) | 4-15/16 (125) | 5-3/16 (132) | 7-3/16 (183) | 10-1/4 (266) | | |
| 1-1/4 | 1-1/2 | 9 | 6-5/8 (168) | 2-9/16 (65) | 5-3/8 (136) | 6-3/16 (157) | 6-3/8 (162) | 7-1/4 (184) | 10-5/16 (261) | | |
| 1-1/2 | 2 | 7 | 5-3/8 (136) | 2-1/2 (63) | 4-5/16 (109) | 5-1/8 (130) | 5-3/8 (136) | 7-5/16 (186) | 10-3/8 (263) | | |
| 1-1/2 | 2 | 9 | 6-3/4 (171) | 2-5/8 (67) | 5-1/2 (140) | 6-5/16 (160) | 6-9/16 (167) | 7-3/8 (187) | 10-7/16 (262) | | |
| PUMPS WITH AM. STD. 125 LB. FLANGED CONNECTIONS | | | | | | | | | | | |
| 2 | 2-1/2 | 7 | 5-5/8 (143) | 1-7/8 (48) | 4-9/16 (116) | 5-3/8 (136) | 5-13/16 (148) | 6-13/16 (173) | 9-7/8 (250) | 5/8 (16) | 1-7/8 (48) |
| 2 | 2-1/2 | 9 | 7 (178) | 1-7/8 (48) | 5-11/16 (144) | 6-1/2 (165) | 6-7/8 (175) | 6-3/4 (171) | 9-13/16 (249) | | |
| 2-1/2 | 3 | 7 | 5-7/8 (149) | 2 (51) | 4-13/16 (122) | 5-13/16 (148) | 6-1/4 (159) | 7-1/16 (179) | 10-1/8 (257) | | |
| 2-1/2 | 3 | 9 | 7-1/4 (184) | 2 (51) | 5-15/16 (151) | 6-3/4 (171) | 7-1/4 (184) | 7 (178) | 10-1/16 (255) | | |
| 3 | 4 | 9 | 7-1/2 (190) | 2-1/8 (54) | 6-1/8 (156) | 6-7/8 (175) | 7-7/16 (189) | 7-1/4 (184) | 10-5/16 (261) | | |
| 4 | 4 | 7 | 6-1/2 (165) | 2-1/2 (63) | 5-1/2 (140) | 6-7/16 (163) | 7-5/16 (186) | 7-15/16 (202) | 11 (279) | | |
| 4 | 5 | 9A | 7-1/4 (184) | 3-1/8 (79) | 5-3/4 (146) | 6-11/16 (169) | 7-3/8 (187) | 8-3/8 (212) | 11-7/16 (290) | | |
| 4 | 5 | 9B | 7-3/4 (196) | 2-5/8 (66) | 6-5/8 (168) | 8-1/16 (204) | 8-11/16 (220) | 8 (203) | 11 (279) | | |

JM OR JP

| FRAME | AG |
|-------|-------------|
| 143 | 10 (254) |
| 145 | 11 (279) |
| 182 | 11 (279) |
| 184 | 12 (305) |

NOTES:

- All dimensions in inches and (mm).
 - Dimensions may vary $\pm 1/4$ (6).
 - Not for construction purposes unless certified.
 - Check discharge position. Casing dimension which exceed 5-1/4 (133) height may require pads for the support.
 - Conduit box is shown in approximate location. Dimensions are not specified as they vary with each motor manufacturer.
 - Model 341A uses JM motor frames.
Model 361A uses JP motor frames.
- * 6-1/4 (159) for 9 (229) case bore pumps (Model 341A only).

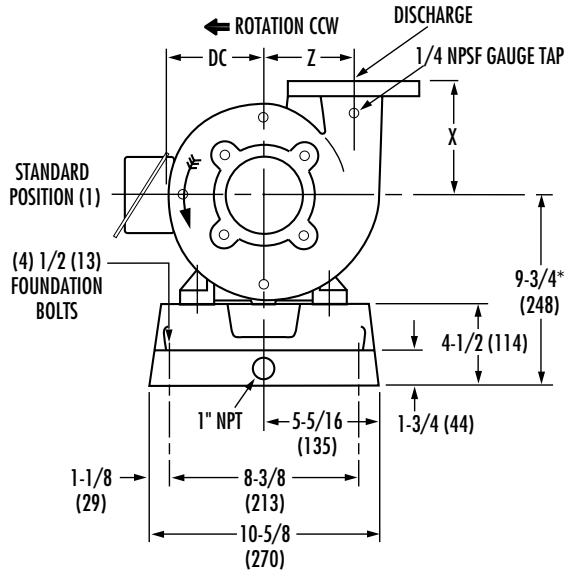
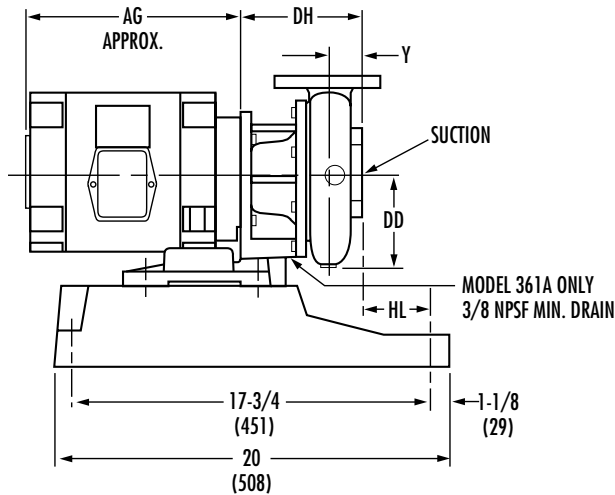
AURORA MODEL 341A & 361A PUMPS

Dated January 2003

Supersedes Section 340/360 Page 202

Dated October 1985

ON CAST IRON BASE JM & JP MOTOR FRAMES 143 THROUGH 184



| PUMPS WITH THREADED CONNECTIONS | | | | | | | | | | | |
|---|---------|-----------|-------------|-------------|---------------|---------------|---------------|---------------|---------------|-------------|--------------|
| DISCHARGE | SUCTION | CASE BORE | X | Y | Z | DC | DD | DH | | HL | |
| | | | | | | | | 341A | 361A | 341A | 361A |
| 1-1/4 | 1-1/2 | 7 | 5-1/4 (133) | 2-7/16 (62) | 4-3/16 (106) | 4-15/16 (125) | 5-3/16 (132) | 7-3/16 (183) | 10-1/4 (260) | 3-3/16 (81) | 1-3/8 (35) |
| 1-1/4 | 1-1/2 | 9 | 6-5/8 (168) | 2-9/16 (65) | 5-3/8 (136) | 6-3/16 (157) | 6-3/8 (162) | 7-1/4 (184) | 10-5/16 (262) | 3-1/8 (79) | 1-5/16 (33) |
| 1-1/2 | 2 | 7 | 5-3/8 (136) | 2-1/2 (63) | 4-5/16 (109) | 5-1/8 (130) | 5-3/8 (136) | 7-5/16 (186) | 10-3/8 (264) | 3-1/16 (78) | 1-1/4 (32) |
| 1-1/2 | 2 | 9 | 6-3/4 (171) | 2-5/8 (67) | 5-1/2 (140) | 6-5/16 (160) | 6-9/16 (167) | 7-3/8 (187) | 10-7/16 (265) | 3 (76) | 1-3/16 (30) |
| PUMPS WITH AM. STD. 125 LB. FLANGED CONNECTIONS | | | | | | | | | | | |
| 2 | 2-1/2 | 7 | 5-5/8 (143) | 1-7/8 (48) | 4-9/16 (116) | 5-3/8 (136) | 5-13/16 (148) | 6-13/16 (173) | 9-7/8 (251) | 3-9/16 (90) | 1-3/4 (44) |
| 2 | 2-1/2 | 9 | 7 (178) | 1-7/8 (48) | 5-11/16 (144) | 6-1/2 (165) | 6-7/8 (175) | 6-3/4 (171) | 9-13/16 (249) | 3-5/8 (92) | 1-13/16 (46) |
| 2-1/2 | 3 | 7 | 5-7/8 (149) | 2 (51) | 4-13/16 (122) | 5-13/16 (148) | 6-1/4 (159) | 7-1/16 (179) | 10-1/8 (257) | 3-5/16 (84) | 1-1/2 (38) |
| 2-1/2 | 3 | 9 | 7-1/4 (184) | 2 (51) | 5-15/16 (151) | 6-3/4 (171) | 7-1/4 (184) | 7 (178) | 10-1/16 (256) | 3-3/8 (86) | 1-9/16 (32) |
| 3 | 4 | 9 | 7-1/2 (190) | 2-1/8 (54) | 6-1/8 (156) | 6-7/8 (175) | 7-7/16 (189) | 7-1/4 (184) | 10-5/16 (262) | 3-1/8 (80) | 1-5/16 (33) |
| 4 | 4 | 7 | 6-1/2 (165) | 2-1/2 (63) | 5-1/2 (140) | 6-7/16 (163) | 7-5/16 (186) | 7-15/16 (202) | 11 (279) | 2-7/16 (62) | 5/8 (16) |

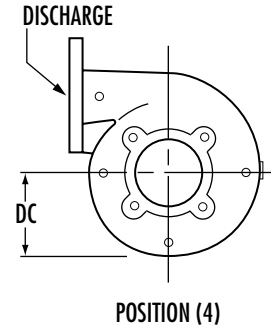
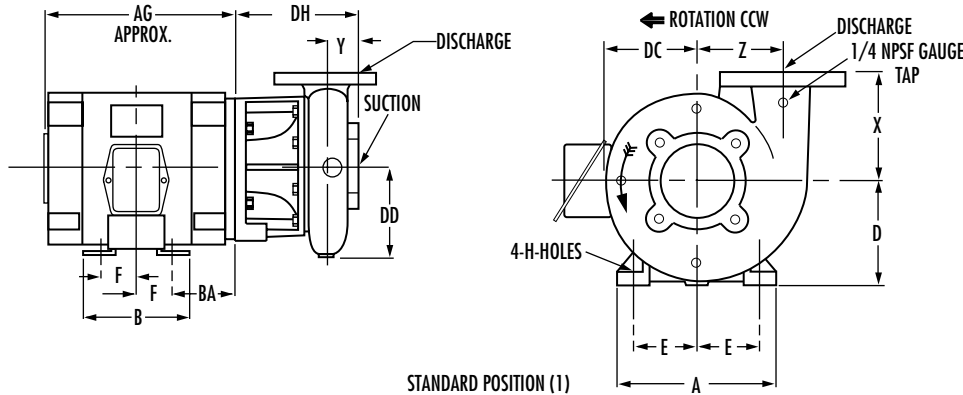
| JM OR JP | |
|----------|----------|
| FRAME | AG |
| 143 | 10 (254) |
| 145 | 11 (279) |
| 182 | 11 (279) |
| 184 | 12 (305) |

NOTES:

- All dimensions in inches and (mm).
 - Dimensions may vary ± 1/4 (6).
 - Not for construction purposes unless certified.
 - Conduit box is shown in approximate location. Dimensions are not specified as they vary with each motor manufacturer.
- * 10-3/4 (159) for 9 (229) case bore pumps (Model 341A only).

AURORA MODEL 341A & 361A PUMPS

JM & JP MOTOR FRAMES 213 THROUGH 326



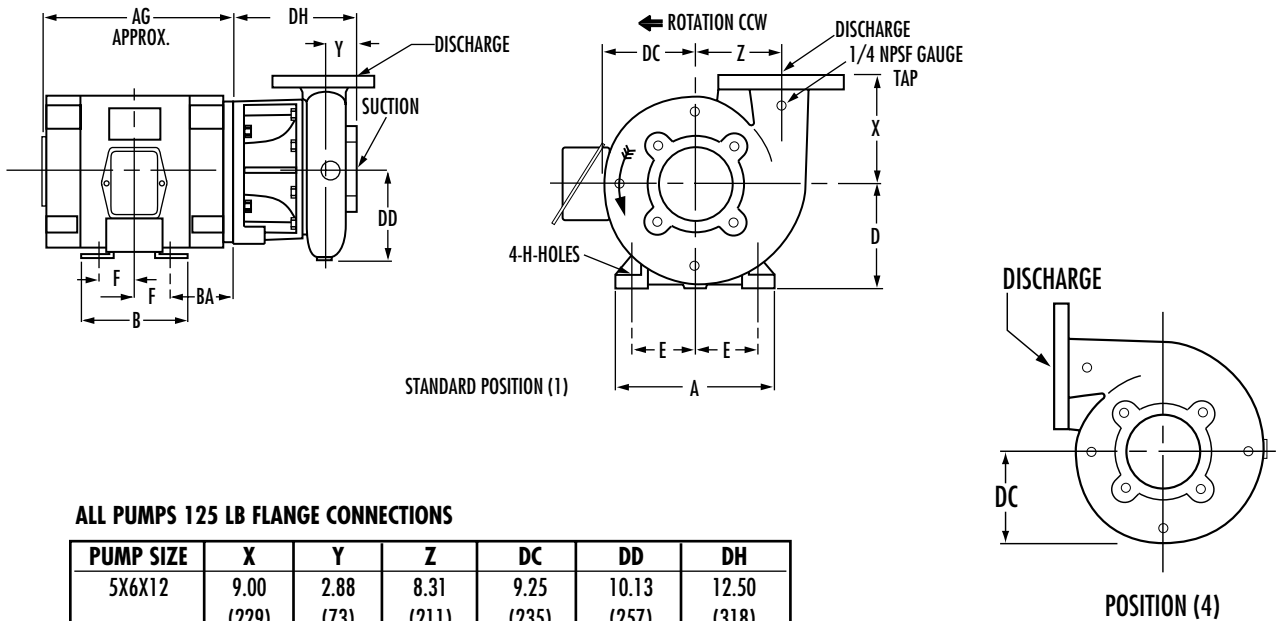
| PUMPS WITH THREADED CONNECTIONS | | | | | | | | DH | | | |
|---|---------|-----------|-------------|--------------|---------------|---------------|---------------|---------------|---------------|---------------|----------------|
| DISCHARGE | SUCTION | CASE BORE | X | Y | Z | DC | DD | 341A | | | 361A |
| | | | | | | | | 213JM | 254JM | 284JM | 213JP-326JP |
| 1-1/4 | 1-1/2 | 7 | 5-1/4 (133) | 2-7/16 (62) | 4-3/16 (106) | 4-15/16 (125) | 5-3/16 (132) | 7-3/16 (183) | N/A | N/A | N/A |
| 1-1/4 | 1-1/2 | 9 | 6-5/8 (168) | 2-9/16 (65) | 5-3/8 (136) | 6-3/16 (157) | 6-3/8 (162) | 7-1/4 (184) | N/A | N/A | N/A |
| 1-1/2 | 2 | 7 | 5-3/8 (136) | 2-1/2 (63) | 4-5/16 (109) | 5-1/8 (130) | 5-3/8 (136) | 7-5/16 (186) | N/A | N/A | N/A |
| 1-1/2 | 2 | 9 | 6-3/4 (171) | 2-5/8 (67) | 5-1/2 (140) | 6-5/16 (160) | 6-9/16 (167) | 7-3/8 (187) | 8-3/8 (213) | 8-3/8 (213) | 11-1/4 (286) |
| 1-1/2 | 2 | 11 | 9 (229) | 2-13/16 (71) | 6-1/8 (156) | 7-1/16 (179) | 7-1/4 (184) | 7-9/16 (192) | N/A | N/A | 11-7/16 (290) |
| 1-1/2 | 2 | 12 | 7-3/4 (197) | 2-3/4 (70) | 7-1/16 (179) | 8 (203) | 8-1/4 (210) | 7-5/8 (194) | 8-5/8 (219) | N/A | 11-1/2 (292) |
| PUMPS WITH ANSI 125 LB. FLANGED CONNECTIONS | | | | | | | | | | | |
| 2 | 2-1/2 | 7 | 5-5/8 (143) | 1-7/8 (48) | 4-9/16 (116) | 5-3/8 (136) | 5-13/16 (148) | 6-13/16 (173) | 7-13/16 (198) | N/A | 10-11/16 (271) |
| 2 | 2-1/2 | 9 | 7 (178) | 1-7/8 (48) | 5-11/16 (144) | 6-1/2 (165) | 6-7/8 (175) | 6-3/4 (171) | 7-3/4 (197) | 7-3/4 (197) | 10-5/8 (270) |
| 2 | 2-1/2 | 12 | 8 (203) | 1-7/8 (48) | 7-3/16 (183) | 8-3/16 (208) | 8-1/2 (216) | 6-7/8 (175) | 7-7/8 (200) | N/A | 10-3/4 (273) |
| 2 | 3 | 11 | 8 (203) | 2-3/8 (60) | 6-1/2 (165) | 7 (178) | 7-3/8 (187) | 7-1/2 (190) | 8-1/2 (216) | 8-1/2 (216) | 11-3/8 (289) |
| 2-1/2 | 3 | 7 | 5-7/8 (149) | 2 (51) | 4-13/16 (122) | 5-13/16 (148) | 6-1/4 (159) | 7-1/16 (179) | 8-1/16 (205) | N/A | 10-15/16 (278) |
| 2-1/2 | 3 | 9 | 7-1/4 (184) | 2 (51) | 5-15/16 (151) | 6-3/4 (171) | 7-1/4 (184) | 7 (178) | 8 (203) | 8 (203) | 10-7/8 (276) |
| 2-1/2 | 3 | 12 | 8-1/4 (210) | 2 (51) | 7-3/8 (187) | 8-3/8 (213) | 8-3/4 (213) | 7-1/8 (181) | 8-1/8 (206) | 8-1/8 (206) | 11 (279) |
| 3 | 4 | 9 | 7-1/2 (190) | 2-1/8 (54) | 6-1/8 (156) | 6-7/8 (175) | 7-7/16 (189) | 7-1/4 (184) | 8-1/4 (210) | 8-1/4 (210) | 11-1/8 (283) |
| 3 | 4 | 11 | 9 (229) | 2-3/4 (70) | 7 (179) | 7-9/16 (192) | 8-3/16 (208) | 8-3/16 (208) | 9-3/16 (233) | 9-3/16 (233) | 12-1/16 (306) |
| 3 | 4 | 12 | 8-1/2 (216) | 2-1/8 (54) | 7-9/16 (192) | 8-7/16 (214) | 8-15/16 (227) | 7-5/8 (194) | 8-5/8 (219) | 8-5/8 (219) | 11-1/4 (286) |
| 4 | 4 | 7 | 6-1/2 (165) | 2-1/2 (63) | 5-1/2 (140) | 6-7/16 (163) | 7-5/16 (186) | 7-15/16 (202) | 8-15/16 (227) | 8-15/16 (227) | 11-13/16 (300) |
| 4 | 5 | 9A | 7-1/4 (184) | 3-1/8 (79) | 5-3/4 (146) | 6-11/16 (170) | 7-3/8 (187) | 8-3/8 (213) | 9-3/8 (238) | 9-3/8 (238) | 12-1/4 (311) |
| 4 | 5 | 9B | 7-3/4 (197) | 2-5/8 (67) | 6-5/8 (168) | 8-1/16 (205) | 8-11/16 (221) | 8 (203) | 9 (229) | N/A | 11-7/8 (302) |
| 4 | 5 | 11 | 9 (229) | 3 (76) | 7-1/4 (184) | 7-15/16 (202) | 8-11/16 (221) | 8-5/8 (219) | 9-5/8 (244) | 9-5/8 (244) | 12-1/2 (317) |
| 4 | 5 | 12 | 8-3/4 (222) | 2-5/8 (67) | 7-15/16 (202) | 8-7/8 (225) | 9-9/16 (243) | N/A | 9-3/8 (238) | 9-3/8 (238) | 12 (305) |
| 5 | 6 | 11 | 9 (229) | 3-1/8 (79) | 8-1/16 (205) | 8-11/16 (221) | 10-1/8 (257) | 9-1/8 (232) | 10-1/8 (257) | 10-1/8 (259) | 13 (330) |
| 5 | 6 | 12 | 9 (229) | 2-7/8 (73) | 8-5/16 (211) | 9-1/4 (235) | 10-1/8 (257) | N/A | 9-7/8 (251) | 9-7/8 (251) | 12-1/2 (317) |
| 6 | 6 | 9 | 8-1/4 (210) | 2-3/4 (70) | 7 (178) | 8 (203) | 9 (229) | 8-1/4 (210) | 9-1/4 (235) | N/A | 12-1/8 (308) |
| 6 | 6 | 11 | 9-1/4 (235) | 3-1/8 (79) | 8-11/16 (221) | 9-11/16 (246) | 11-1/4 (286) | N/A | 10-3/8 (264) | 10-3/8 (264) | 13 (330) |
| 6 | 6 | 12 | 9-1/4 (235) | 3-1/8 (79) | 8-11/16 (221) | 9-11/16 (246) | 11-1/4 (286) | N/A | 10-3/8 (264) | 10-3/8 (264) | 13 (330) |

NOTES:

1. All dimensions in inches and (mm).
2. Dimensions may vary ± 1/4 (6).
3. Not for construction purposes unless certified.
4. N/A = Not Applicable.
5. Check discharge position, casing dimensions which exceed dimension "D" may require pads for the motor.
6. Conduit box is shown in approximate location. Dimensions are not specified as they vary with each motor manufacturer.

JM OR JP MOTOR FRAMES

| FRAME | 213 | 215 | 254 | 256 | 284 | 286 | 324 | 326 |
|------------|--------------|--------------|--------------|--------------|--------------|-------------|-------------|--------------|
| A | 10-1/2 (267) | 10-1/2 (267) | 12-1/2 (317) | 12-1/2 (317) | 14 (356) | 14 (356) | 16 (406) | 16 (406) |
| B | 7-1/2 (190) | 9 (229) | 10-3/4 (273) | 12-1/2 (317) | 12-1/2 (317) | 14 (356) | 14 (356) | 15-1/2 (394) |
| D | 5-1/4 (133) | 5-1/4 (133) | 6-1/4 (159) | 6-1/4 (159) | 7 (178) | 7 (178) | 8 (203) | 8 (203) |
| E | 4-1/4 (108) | 4-1/4 (108) | 5 (127) | 5 (127) | 5-1/2 (140) | 5-1/2 (140) | 6-1/4 (159) | 6-1/4 (159) |
| F | 2-3/4 (70) | 3-1/2 (89) | 4-1/8 (111) | 5 (127) | 4-3/4 (121) | 5-1/2 (140) | 5-1/4 (133) | 6 (152) |
| H | 13/32 (10) | 13/32 (10) | 17/32 (13) | 17/32 (13) | 17/32 (13) | 17/32 (13) | 21/32 (16) | 21/32 (16) |
| AG APPROX. | 14 (356) | 15 (381) | 17-1/2 (444) | 19 (483) | 19 (483) | 21 (533) | 22 (359) | 23 (584) |
| BA | 4-1/2 (114) | 4-1/2 (114) | 5 (127) | 5 (127) | 5 (127) | 5 (127) | 5-1/2 (140) | 5-1/2 (140) |



STANDARD POSITION (1)

POSITION (4)

ALL PUMPS 125 LB FLANGE CONNECTIONS

| PUMP SIZE | X | Y | Z | DC | DD | DH |
|-----------|---------------|--------------|---------------|---------------|----------------|----------------|
| 5X6X12 | 9.00 (229) | 2.88 (73) | 8.31 (211) | 9.25 (235) | 10.13 (257) | 12.50 (318) |
| 6X6X12B | 9.25 (235) | 3.13 (80) | 8.69 (221) | 9.69 (246) | 11.25 (286) | 14.25 (362) |

| MOTOR FRAME | 364TCZ | 365TCZ |
|-------------|----------------|----------------|
| A | 18.00 (457) | 18.00 (457) |
| B | 14.75 (375) | 15.75 (400) |
| D | 9.00 (229) | 9.00 (229) |
| E | 7.00 (178) | 7.00 (178) |
| F | 5.63 (143) | 6.13 (156) |
| H | 0.66 (17) | 0.66 (17) |
| AG approx. | 26 (660) | 28 (711) |
| BA | 5.88 (149) | 5.88 (149) |

NOTES:

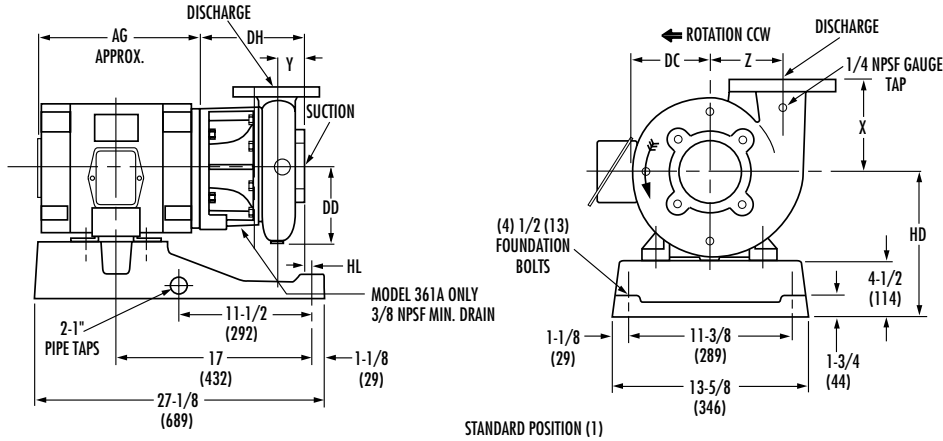
1. All dimensions in inches (mm), weight in pounds (KG).
2. Dimensions may vary $\pm 1/4"$ (6).
3. Not for construction purposes unless certified.
4. Conduit box is not specified as they vary with each motor manufacturer.

Dated January 2003

ON CAST IRON BASE
JM & JP MOTOR FRAMES
213 THROUGH 256

Supersedes Section 340/360 Page 204

Dated May 1996



JM OR JP

| FRAME | AG |
|-------|-------------|
| 213 | 14 (355) |
| 215 | 15 (381) |
| 254 | 17 (431) |
| 256 | 19 (355) |

| PUMPS WITH THREADED CONNECTIONS | | | | | | | | | | DH | | | HD | | HL | | | | |
|---|---------|-----------|----------------|-----------------|------------------|------------------|------------------|------------------|------------------|-------------------|-----------------|-----------------|-----------------|----------------|-----------------|-------|-------|-------|-------|
| DISCHARGE | SUCTION | CASE BORE | X | Y | Z | DC | DD | 341A | | 361A | 213 | 254 | 341A | | 213JM | 254JM | 213JP | | |
| | | | | | | | | 213JM | 254JM | 213JP- | | | 215 | 256 | | | | 215JM | 256JM |
| | | | | | | | | 215JM | 256JM | 256JP | | | 215 | 256 | | | | 215JM | 256JM |
| 1 1/4 | 1 1/2 | 7 | 5-1/4 (133) | 2-7/16 (62) | 4-3/16 (106) | 4-15/16 (125) | 5-3/16 (132) | 7-3/16 (183) | N/A | N/A | 9-3/4* (248) | N/A | 1-15/16 (49) | N/A | N/A | N/A | N/A | | |
| 1-1/4 | 1-1/2 | 9 | 6-5/8 (168) | 2-9/16 (65) | 5-3/8 (137) | 6-3/16 (157) | 6-3/8 (162) | 7-1/4 (184) | N/A | N/A | 9-3/4* (248) | N/A | 1-7/8 (48) | N/A | N/A | N/A | N/A | | |
| 1-1/2 | 2 | 7 | 5-3/8 (137) | 2-1/2 (64) | 4-5/16 (110) | 5-1/8 (130) | 5-3/8 (137) | 7-5/16 (186) | N/A | N/A | 9-3/4* (248) | N/A | 1-13/16 (46) | N/A | N/A | N/A | N/A | | |
| 1-1/2 | 2 | 9 | 6-3/4 (171) | 2-5/8 (67) | 5-1/2 (140) | 6-5/16 (160) | 6-9/16 (167) | 7-3/8 (187) | 8-3/8 (213) | 11-1/4 (286) | 9-3/4 (248) | 10-3/4 (273) | 1-3/4 (44) | 3/4 (19) | 2-1/8 (54) | N/A | N/A | | |
| 1-1/2 | 2 | 11 | 9 (229) | 2-13/16 (71) | 6-1/8 (156) | 7-1/16 (179) | 7-1/4 (192) | 7-9/16 (192) | N/A | 11-7/16 (291) | 9-3/4 (248) | N/A | 1-1/2 (38) | N/A | 2-3/8 (60) | N/A | N/A | | |
| 1-1/2 | 2 | 12 | 7-3/4 (197) | 2-3/4 (70) | 7-1/16 (179) | 8 (203) | 8-1/4 (210) | 7-5/8 (194) | 8-5/8 (219) | 11-1/2 (292) | 10-1/2 (267) | 10-3/4 (273) | 1-1/2 (38) | 1/2 (13) | 2-3/8 (60) | N/A | N/A | | |
| PUMPS WITH ANSI-125-LB.-FLANGED CONNECTIONS | | | | | | | | | | | | | | | | | | | |
| 2 | 2-1/2 | 7 | 5-5/8 (143) | 1-7/8 (48) | 4-9/16 (116) | 5-3/8 (137) | 5-13/16 (148) | 6-13/16 (173) | 7-13/16 (198) | 10-11/16 (271) | 9-3/4 (248) | 10-3/4 (273) | 2-5/16 (59) | 1-5/16 (33) | 1-9/16 (40) | N/A | N/A | | |
| 2 | 2-1/2 | 9 | 7 (178) | 1-7/8 (48) | 5-11/16 (144) | 6-1/2 (165) | 6-7/8 (175) | 6-3/4 (171) | 7-3/4 (197) | 10-5/8 (270) | 9-3/4 (248) | 10-3/4 (273) | 2-3/8 (60) | 1-3/8 (35) | 1-1/2 (38) | N/A | N/A | | |
| 2 | 2-1/2 | 12 | 8 (203) | 1-7/8 (48) | 7-3/16 (183) | 8-3/16 (208) | 8-1/2 (216) | 6-7/8 (175) | 7-7/8 (200) | 10-3/4 (273) | 10-1/2 (267) | 10-3/4 (273) | 2-1/4 (57) | 1-1/4 (32) | 1-5/8 (41) | N/A | N/A | | |
| 2 | 3 | 11 | 8 (203) | 2-3/8 (60) | 6-1/2 (165) | 7 (178) | 7-3/8 (187) | 7-1/2 (191) | 8-1/2 (216) | 11-3/8 (289) | 9-3/4 (248) | 10-3/4 (273) | 1-1/2 (38) | 1/2 (13) | 2-1/16 (52) | N/A | N/A | | |
| 2-1/2 | 3 | 7 | 5-7/8 (149) | 2 (51) | 4-13/16 (122) | 5-13/16 (148) | 6-1/4 (159) | 7-1/16 (179) | 8-1/16 (205) | 10-15/16 (278) | 9-3/4 (248) | 10-3/4 (273) | 2-1/16 (52) | 1-1/16 (27) | 1-13/16 (46) | N/A | N/A | | |
| 2-1/2 | 3 | 9 | 7-1/4 (184) | 2 (51) | 5-15/16 (151) | 6-3/4 (171) | 7-1/4 (184) | 7 (178) | 8 (203) | 10-7/8 (276) | 9-3/4 (248) | 10-3/4 (273) | 2-1/8 (54) | 1-1/8 (29) | 1-3/4 (44) | N/A | N/A | | |
| 2-1/2 | 3 | 12 | 8-1/4 (210) | 2 (51) | 7-3/8 (187) | 8-3/8 (213) | 8-3/4 (222) | 7-1/8 (181) | 8-1/8 (206) | 11 (279) | 10-1/2 (267) | 10-3/4 (273) | 2 (51) | 1 (25) | 1-7/8 (48) | N/A | N/A | | |
| 3 | 4 | 9 | 7-1/2 (191) | 2-1/8 (54) | 6-1/8 (156) | 6-7/8 (175) | 7-7/16 (189) | 7-1/4 (184) | 8-1/4 (210) | 11-1/8 (283) | 9-3/4 (248) | 10-3/4 (273) | 1-7/8 (48) | 7/8 (22) | 2 (51) | N/A | N/A | | |
| 3 | 4 | 11 | 9 (229) | 2-3/4 (70) | 7 (178) | 7-9/16 (192) | 8-3/16 (208) | 8-3/16 (208) | 9-3/16 (233) | 12-1/16 (306) | 10-1/2 (267) | 10-3/4 (273) | 13/16 (20) | 0 | 2-3/4 (70) | N/A | N/A | | |
| 3 | 4 | 12 | 8-1/2 (216) | 2-1/8 (54) | 7-9/16 (192) | 8-7/16 (214) | 8-15/16 (227) | 7-5/8 (194) | 8-5/8 (219) | 11-1/4 (286) | 10-1/2 (267) | 10-3/4 (273) | 1-3/4 (44) | 3/4 (19) | 2-1/8 (54) | N/A | N/A | | |
| 4 | 4 | 7 | 6-1/2 (165) | 2-1/2 (64) | 5-1/2 (140) | 6-7/16 (164) | 7-5/16 (186) | 7-15/16 (202) | 8-15/16 (227) | 11-13/16 (300) | 9-3/4 (248) | 10-3/4 (273) | 1-3/16 (30) | 3/16 (4) | 2-11/16 (68) | N/A | N/A | | |
| 4 | 5 | 9A | 7-1/4 (184) | 3-1/8 (79) | 5-3/4 (146) | 6-11/16 (170) | 7-3/8 (187) | 8-3/8 (213) | N/A | 12-1/4 (311) | 9-3/4 (248) | N/A | 3/4 (19) | N/A | 3-1/8 (79) | N/A | N/A | | |
| 4 | 5 | 9B | 7-3/4 (197) | 2-5/8 (67) | 6-5/8 (168) | 8-1/16 (205) | 8-11/16 (221) | 8 (203) | 9 (229) | 11-7/8 (302) | 10-1/2 (267) | 10-3/4 (273) | 1-1/8 (29) | 1/8 (3) | 2-3/4 (70) | N/A | N/A | | |
| 4 | 5 | 11 | 9 (229) | 3 (76) | 7-1/4 (184) | 7-15/16 (202) | 8-11/16 (221) | 8-5/8 (219) | 9-5/8 (244) | 12-1/2 (318) | 11-1/4 (286) | 11-1/2 (292) | 3/8 (10) | 0 | 3-3/16 (81) | N/A | N/A | | |
| 4 | 5 | 12 | 8-3/4 (222) | 2-5/8 (67) | 7-15/16 (202) | 8-7/8 (225) | 9-9/16 (243) | N/A | 9-9/8 (238) | 12 (305) | N/A | 10-3/4 (273) | N/A | 0 | 2-7/8 (73) | N/A | N/A | | |
| 5 | 6 | 11 | 9 (229) | 3-1/8 (79) | 8-1/16 (205) | 8-11/16 (221) | 10-1/8 (257) | 9-1/8 (232) | 10-1/8 (257) | 13 (330) | 12-1/4 (311) | 12-1/4 (311) | 0 | 0 | 3-11/16 (94) | N/A | N/A | | |
| 6 | 6 | 9 | 8-1/4 (210) | 2-3/4 (70) | 7 (178) | 8 (203) | 9 (229) | 8-1/4 (210) | 9-1/4 (235) | 12-1/8 (308) | 10-1/2 (267) | 10-3/4 (273) | 7/8 (22) | 0 | 3 (76) | N/A | N/A | | |

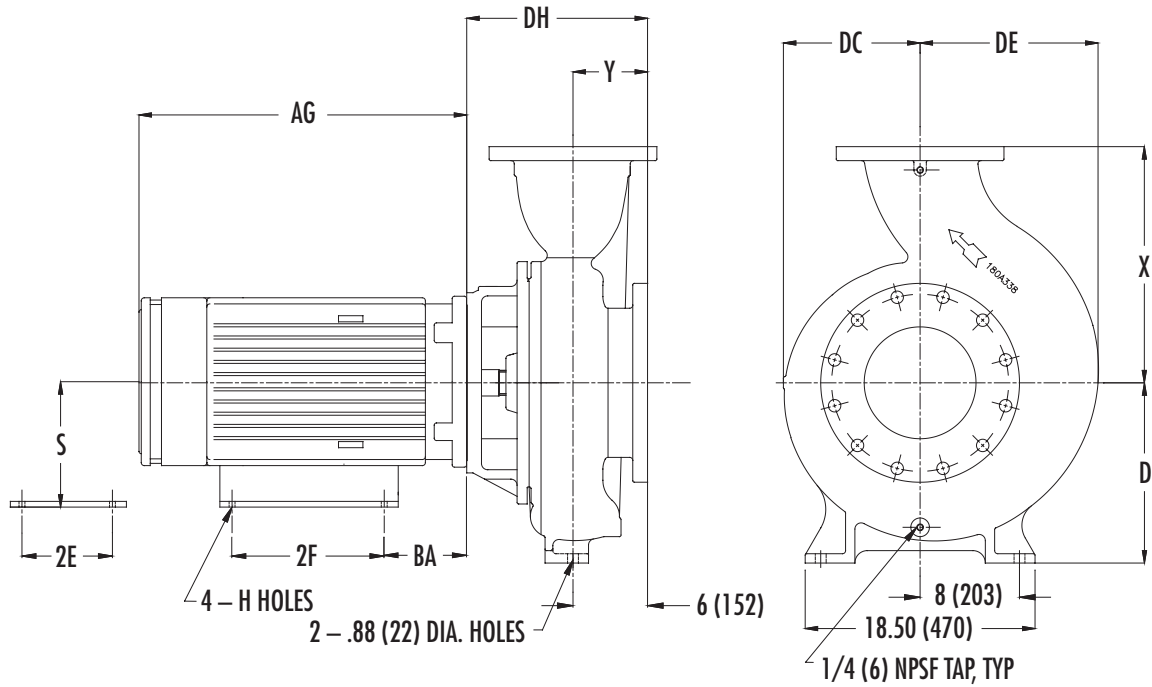
- NOTES:
- All dimensions in inches and (mm).
 - Dimensions may vary ± 1/4 (6).
 - Not for construction purposes unless certified.
 - N/A = Not Applicable.
 - Conduit box is shown in approximate location. Dimensions are not specified as they vary with each motor manufacturer.

AURORA MODEL 341A PUMPS

6X8X15 & 8X10X15

Dated MARCH 2003

365TCZ-444TCZ



| PUMP SIZE | | | | | | | | | | |
|-----------|---------|-----------|----------------|---------------|----------------|----------------|----------------|---------------|--------------|--|
| DISCHARGE | SUCTION | CASE BORE | X | Y | D | DE | DC | DH | PUMP WEIGHT | |
| 6 | 8 | 15 | 18.00 (457) | 6.00 (152) | 14.50 (368) | 12.88 (327) | 10.44 (265) | 9.56 (243) | 365 (166) | |
| 8 | 10 | 15 | 19.00 (483) | 6.00 (152) | 14.50 (368) | 14.38 (365) | 11.00 (279) | 9.56 (243) | 505 (229) | |

| Motor Frame | 364TCZ | 365TCZ | 404TCZ | 405TCZ | 444TCZ | 445TCZ |
|-------------|----------------|----------------|----------------|----------------|----------------|----------------|
| BA | 5.88 (149) | 5.88 (149) | 6.62 (168) | 6.62 (168) | 7.50 (191) | 7.50 (191) |
| 2F | 11.25 (286) | 12.25 (311) | 12.25 (311) | 13.75 (349) | 14.50 (368) | 16.50 (419) |
| 2E | 14.00 (356) | 14.00 (356) | 16.00 (406) | 16.00 (406) | 18.00 (457) | 18.00 (457) |
| S | 9.00 (229) | 9.00 (229) | 10.00 (254) | 10.00 (254) | 11.00 (279) | 11.00 (279) |
| H | 0.66 (17) | 0.66 (17) | 0.81 (21) | 0.81 (21) | 0.81 (21) | 0.81 (21) |
| AG approx | 31.5 (800) | 32.5 (826) | 34 (864) | 37.5 (953) | 43 (1092) | 48 (1219) |

NOTES:

1. ALL DIMENSIONS IN INCHES (MM), WEIGHT IN POUNDS (KG)
2. DIMENSIONS MAY VARY PLUS/MINUS 1/4"
3. NOT FOR CONSTRUCTION PURPOSES UNLESS CERTIFIED.
4. CONDUIT BOX IS NOT SPECIFIED AS THEY VARY WITH EACH MOTOR MANUFACTURER.

AURORA SERIES 340

SELECTION CHART

1150 R.P.M.

ENCLOSED IMPELLER

