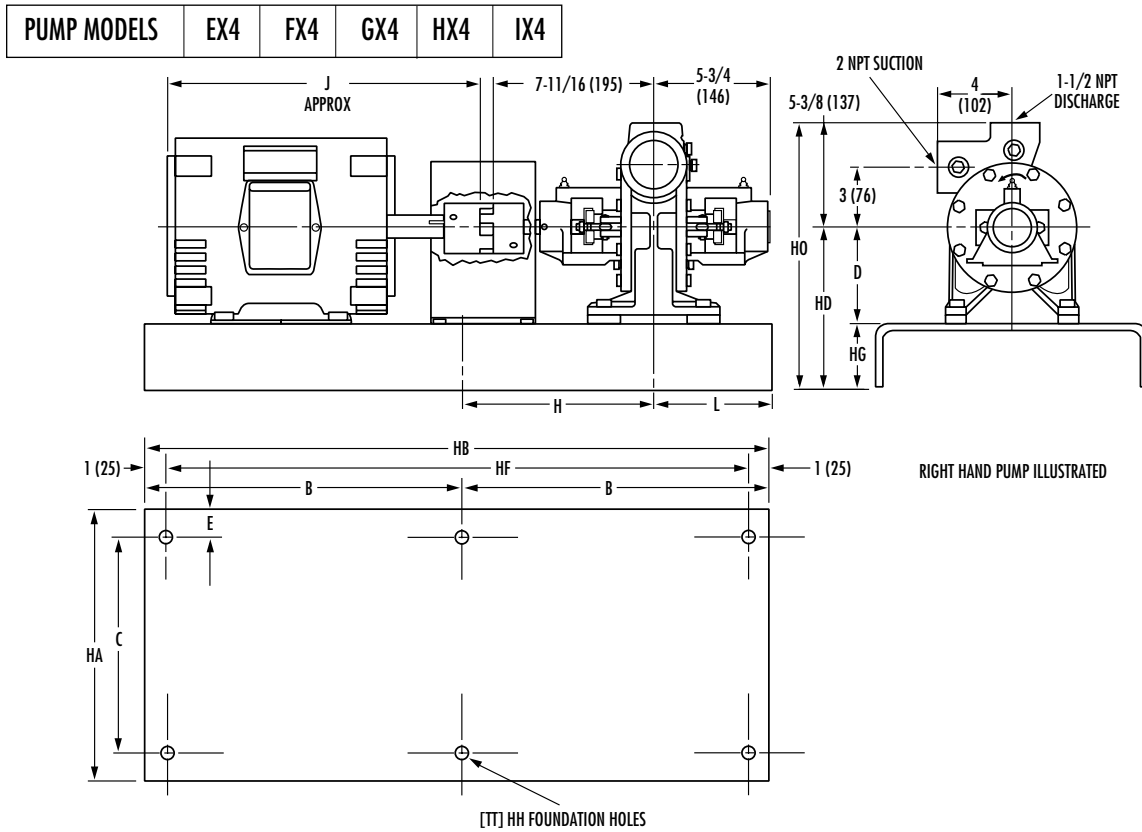


AURORA MODEL 120 SERIES

MODEL 121B SINGLE STAGE APCO PUMPS ON STEEL BASE

Date **MARCH 2004**

Supersedes Section 120 Page 251
Dated FEBRUARY 1999



MOTOR FRAME	B	C	D	E	H	J	L	HA	HB	HD	HF	HG	HH	HO	TT
56	10-1/2 (267)	7 (178)	4-1/8 (105)	1 (25)	6-7/16 (164)	13 (330)	4-1/16 (103)	9 (229)	21 (533)	6-5/8 (168)	-	2-1/2 (64)	1/2 (13)	12 (305)	2
143T	12 (305)	7 (178)	4-1/8 (105)	1 (25)	7-15/16 (202)	11 (279)	4-1/16 (103)	9 (229)	24 (610)	6-5/8 (168)	-	2-1/2 (64)	1/2 (13)	12 (305)	2
145T	12 (305)	7 (178)	4-1/8 (105)	1 (25)	7-15/16 (202)	12 (305)	4-1/16 (103)	9 (229)	24 (610)	6-5/8 (168)	-	2-1/2 (64)	1/2 (13)	12 (305)	2
182T	12 (305)	7 (178)	4-1/2 (114)	1-1/2 (38)	7-15/16 (202)	13 (330)	4-1/16 (103)	10 (254)	24 (610)	7-1/8 (181)	-	2-5/8 (67)	5/8 (16)	12-1/2 (318)	2
184T	13 (330)	7 (178)	4-1/2 (114)	1-1/2 (38)	8-15/16 (227)	14 (356)	4-1/16 (103)	10 (254)	26 (660)	7-1/8 (181)	-	2-5/8 (67)	5/8 (16)	12-1/2 (318)	2
213T	15 (381)	9 (229)	5-1/4 (133)	1-1/2 (38)	10-15/16 (278)	16 (406)	4-1/16 (103)	12 (305)	30 (762)	8-1/4 (210)	-	3 (76)	5/8 (16)	13-5/8 (346)	2
215T	15 (381)	9 (229)	5-1/4 (133)	1-1/2 (38)	10-15/16 (278)	18 (457)	4-1/16 (103)	12 (305)	30 (762)	8-1/4 (210)	-	3 (76)	5/8 (16)	13-5/8 (346)	2
254T	-	10 (254)	6-1/4 (159)	1-1/2 (38)	-	21 (533)	4-1/16 (103)	13 (330)	38 (965)	10-1/4 (260)	36 (914)	4 (102)	3/4 (19)	15-5/8 (397)	4
256T	-	10 (254)	6-1/4 (159)	1-1/2 (38)	-	23 (584)	4-1/16 (103)	13 (330)	38 (965)	10-1/4 (260)	36 (914)	4 (102)	3/4 (19)	15-5/8 (397)	4

NOTES:

1. All dimensions in inches (mm).
2. Dimensions may vary $\pm 1/8"$ (3).
3. Not for construction purposes unless certified.
4. Coupling gap may vary $1/8"$ (3) to $1"$ (25).
5. Conduit box is shown in approximate location. Capacitor, when furnished, normally appears on top of motor. Dimensions are not specified as they vary with each motor manufacturer.